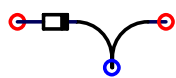


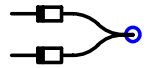
# SUPER DUTY POWERSTEP ('04 - ) with Remote Keyless Entry Wiring Diagram

## Legend

**Y-Blk:** Yellow w/ Black Tracer  
**LG-Y:** Light Green w/ Yellow Tracer  
**Gy-R:** Gray w/ Red Tracer  
**Pk-LB:** Pink w/ Light Blue Tracer



**Diode Harness**



**Double Diode Harness**



**Additional Connecting Wire  
(Red - 18 Ga)**



**Butt Connector**

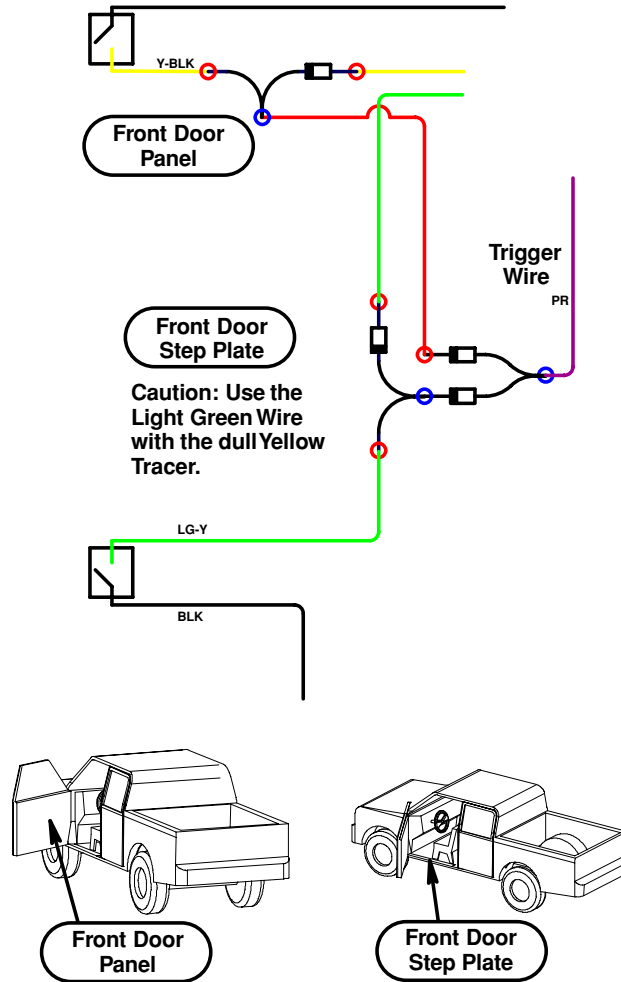


**Vehicle Door Latch  
(Door Ajar Switch)**

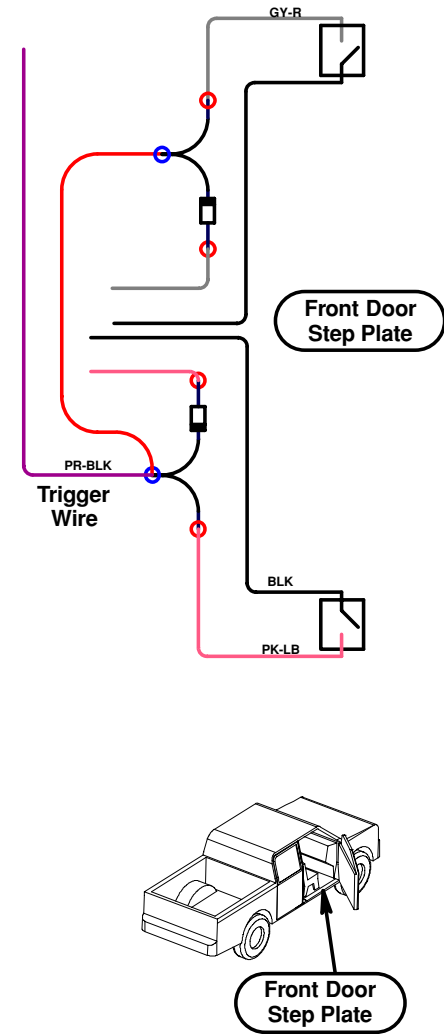


**Splicing Location**

## DriverSide

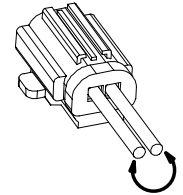


## PassengerSide



**SUPER DUTY POWERSTEP ('02 - '03)**  
**with Remote Keyless Entry**  
**Wiring Diagram**

**NOTE : The two wires to each of the motorplugs (orange and white) have to be reversed.**

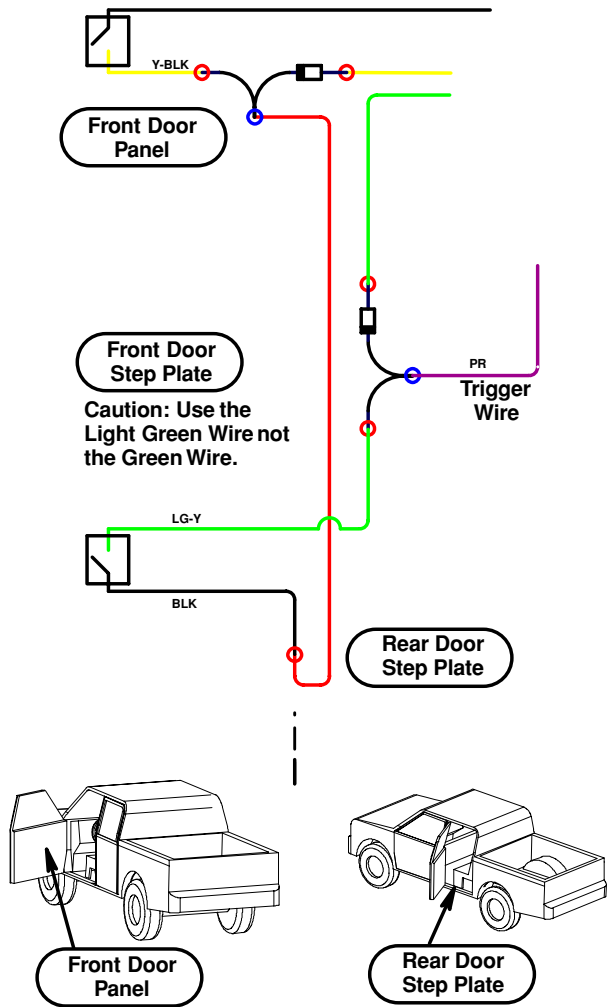


**Legend**

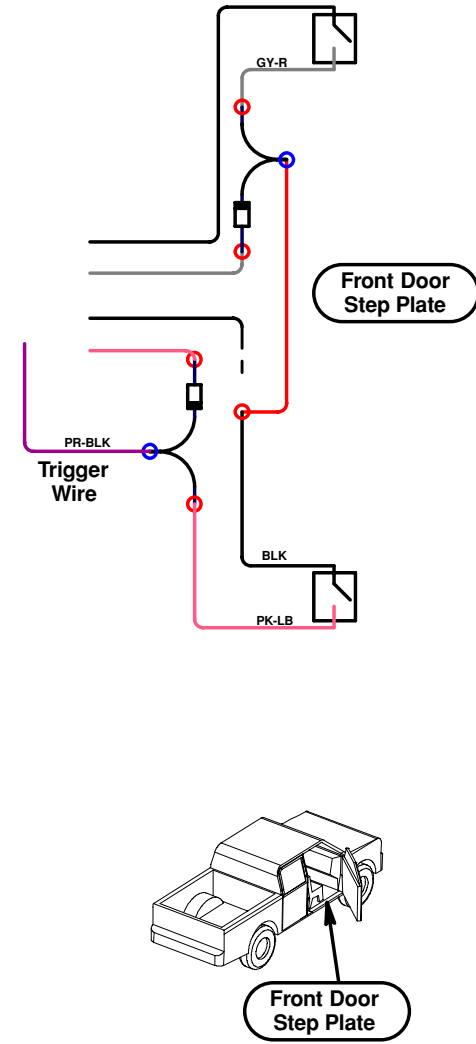
**Y-Blk:** Yellow w/ Black Tracer  
**LG-Y:** Light Green w/ Yellow Tracer  
**Gy-R:** Gray w/ Red Tracer  
**Pk-LB:** Pink w/ Light Blue Tracer



**Driver Side**

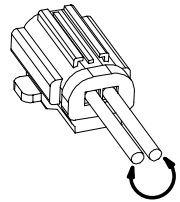


**Passenger Side**



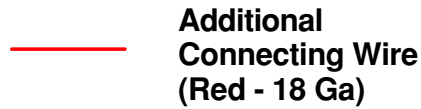
**SUPER DUTY POWERSTEP ('02 - '03)**  
**without Remote Keyless Entry**  
**Wiring Diagram**

**NOTE : The two wires to each of the motorplugs (orange and white) have to be reversed.**

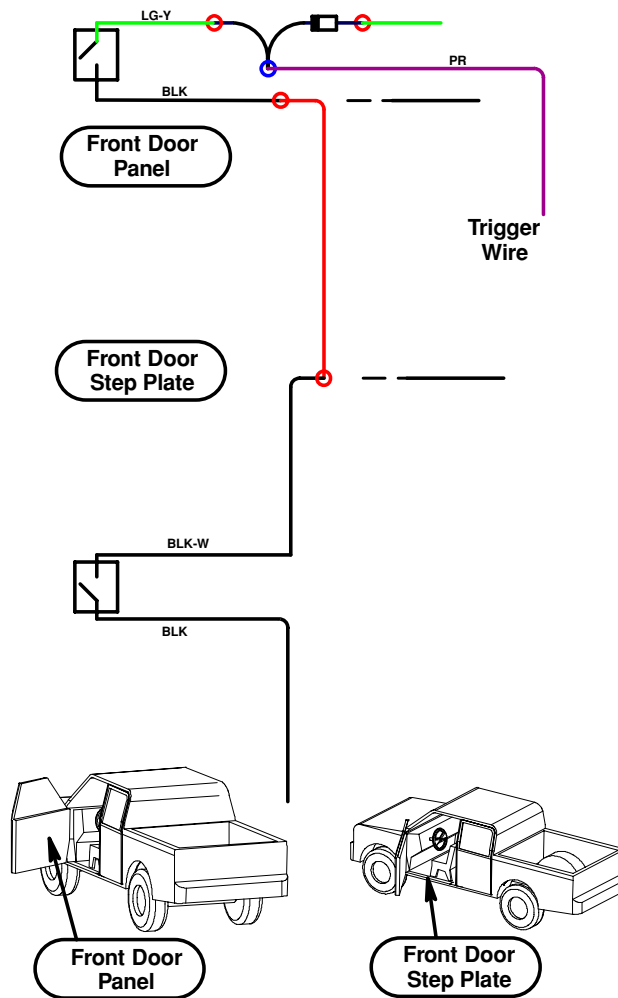


**Legend**

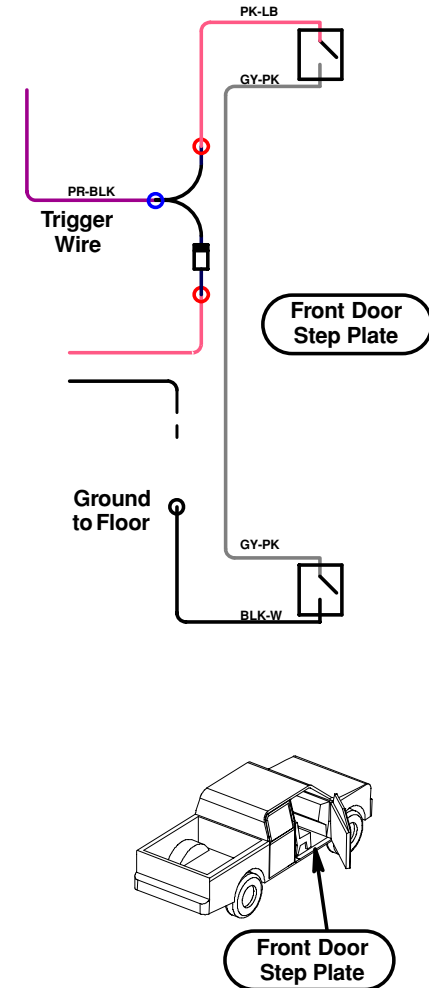
**LG-Y:** Light Green w/ Yellow Tracer  
**Blk-Wt:** Black w/ White Tracer  
**Gy-Pk:** Gray w/ Pink Tracer  
**Pk-LB:** Pink w/ Light Blue Tracer



**Driver Side**



**Passenger Side**



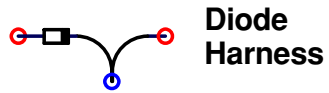
**SUPER DUTY POWERSTEP (- '01)**

**Wiring Diagram**

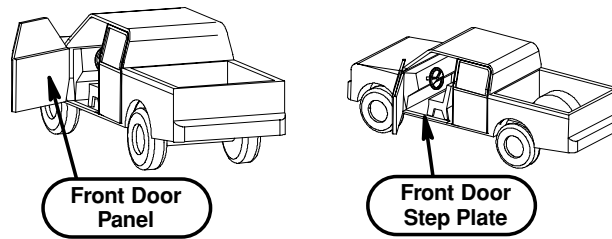
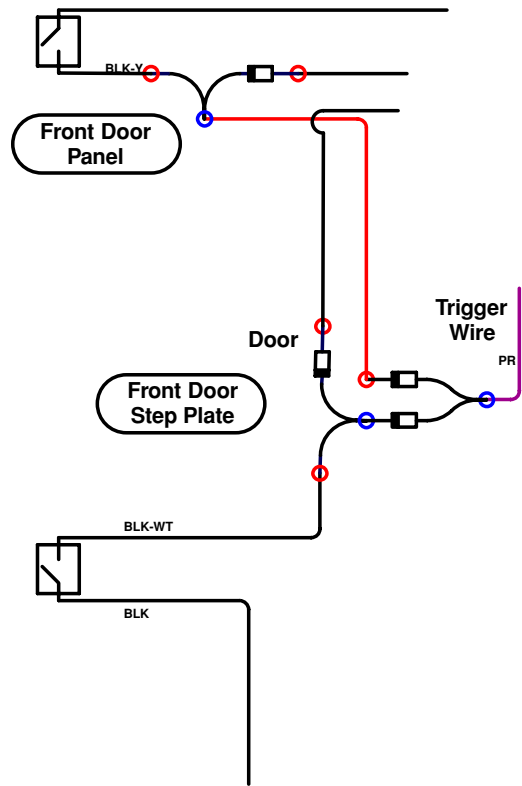
**NOTE : Wires do not crossover from passenger side to driverside under seats.**

**Legend**

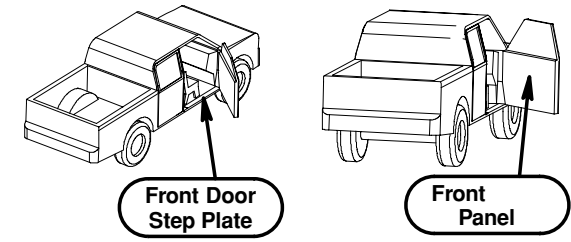
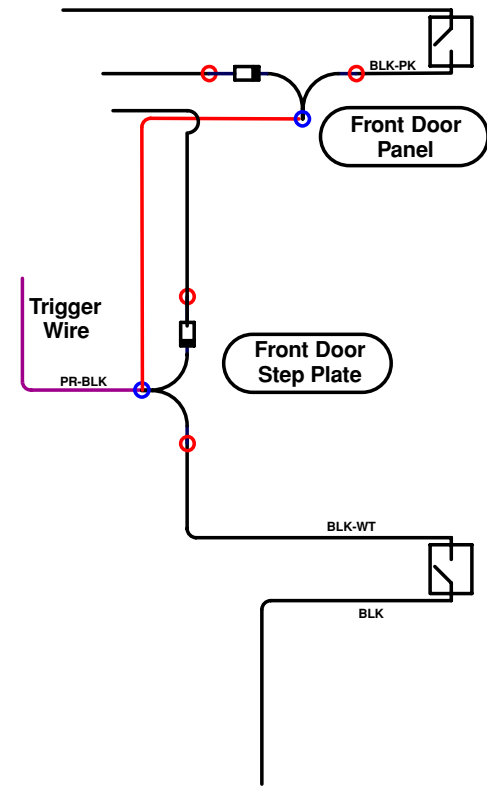
**Blk-Y: Black w/ Yellow Tracer**  
**Blk-Wt: Black w/ White Tracer**  
**Blk-Pk: Black w/ Pink Tracer**



**DriverSide**

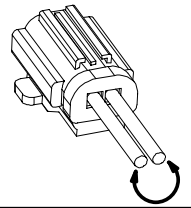


**PassengerSide**



**SUPER DUTY POWERSTEP ('02 - '04)**  
**Regular Cab and Super Cab**  
**Wiring Diagram**

**NOTE For Model Years '02-'03**  
 The two wires to each of the motor plugs  
 (orange and white) have to be reversed.

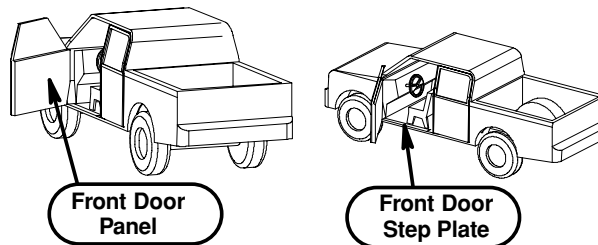
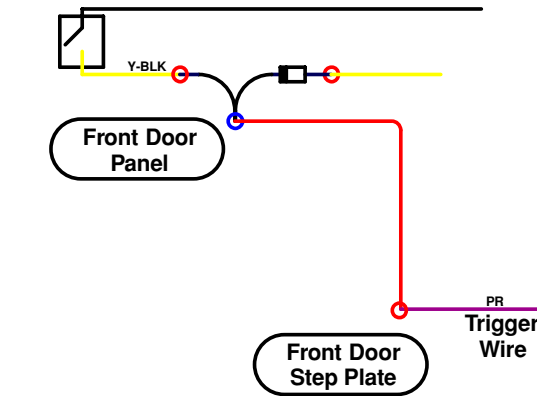


**Legend**

**Y-Blk:** Yellow w/ Black Tracer  
**LG-Y:** Light Green w/ Yellow Tracer  
**Gy-R:** Gray w/ Red Tracer  
**Pk-LB:** Pink w/ Light Blue Tracer



**DriverSide**



**PassengerSide**

