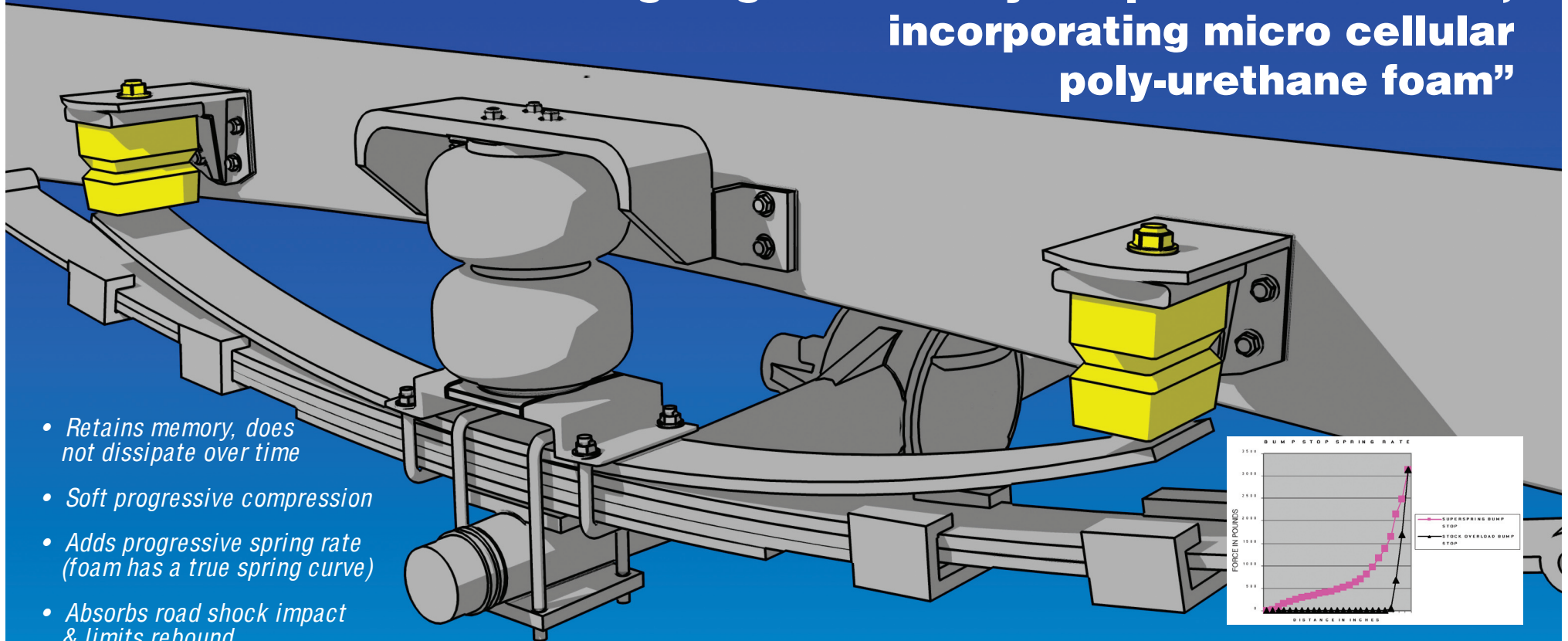


got airbags & sway? then you need...

# SuperSway-Stops

the "Cutting Edge Anti-Sway Suspension Solution,  
incorporating micro cellular  
poly-urethane foam"



- Retains memory, does not dissipate over time
- Soft progressive compression
- Adds progressive spring rate (foam has a true spring curve)
- Absorbs road shock impact & limits rebound
- Quick, simple bolt on installation
- Increased flexibility & durability

Designed to deliver Enhanced Stability for your FORD SUPER DUTY 3/4 OR 1 TON PICKUP with factory contact type auxillary springs and fitted with air springs.

Allows the factory contact overload springs, previously rendered useless by installation of air springs, to kick in almost instantly, greatly improving the handling and reducing the sway of the truck.

**Slide-in Truck Campers, Fifth Wheel or any kind of Trailer Towing**