

SKI CARRIER

IMPORTANT: The ski arms included are to be used only in conjunction with the Softride hitch mounted bike carriers. Do not use it for anything other than what it was intended. Remove ski arms from carrier when not carrying skis.

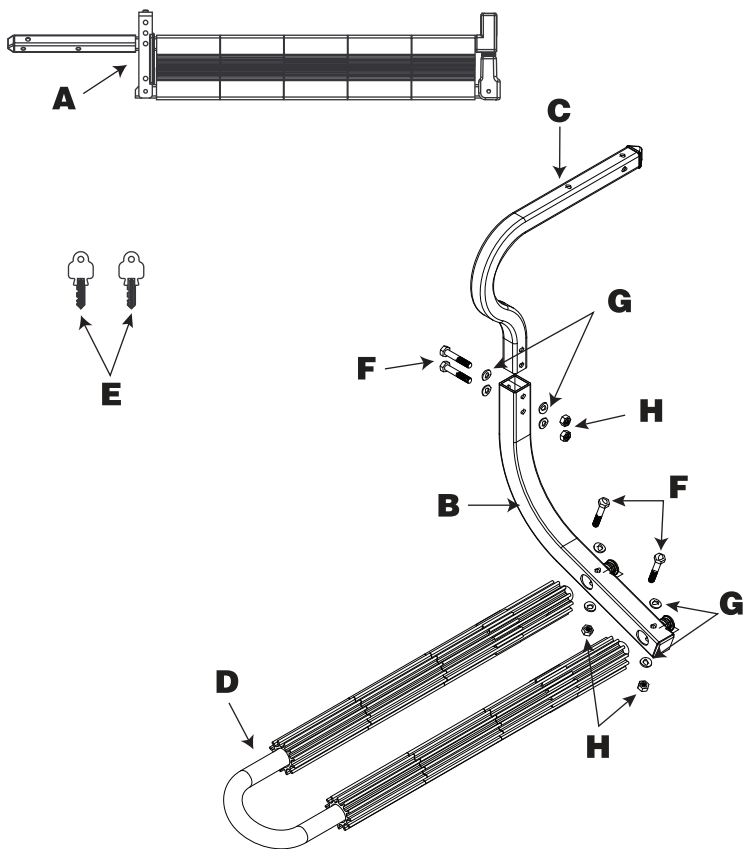
IMPORTANT: The arms are designed to hold a maximum of 5 pairs of skis or a combination of 4 snowboards and 1 pair of skis.

TOOLS REQUIRED:

1/2" wrench

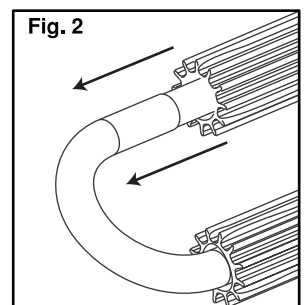
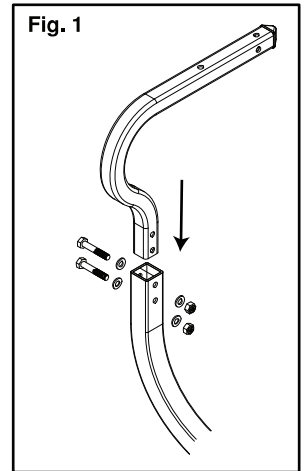
Parts Included

Item	Description	Quantity
A	Upper Arm Assembly with Lock	1
B	Lower Arm Base	1
C	Lower Arm Attachment	1
D	Tube Attachment	1
E	Keys	2
F	M8 Bolt	4
G	8mm Washer	8
H	M8 Nut	4



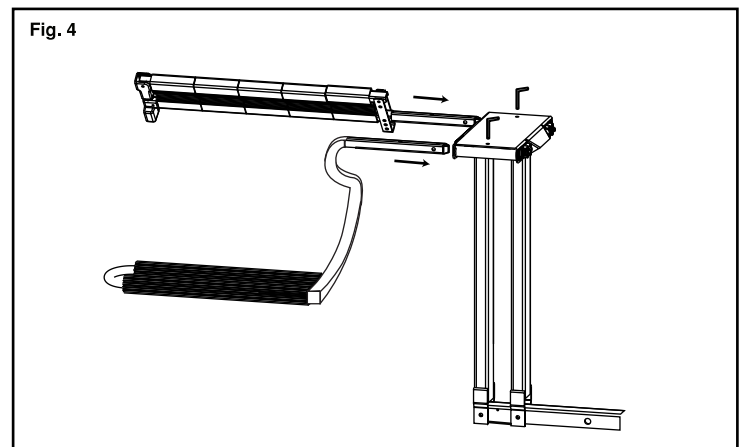
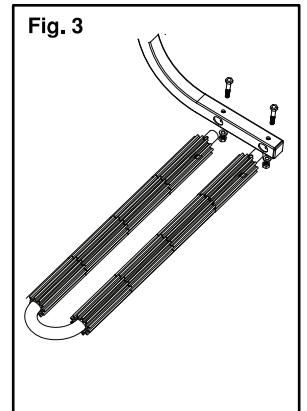
Assembly of Ski Arms:

1. Slide lower arm attachment into, the lower arm base and line up holes. Place 2 washers and nut on each bolt. Using a 1/2" wrench, tighten to $15 \pm 1\text{Nm}$ or $11 \pm 1\text{ft.lb.}$, (Figure 1).
2. Make sure all 8 rubber extrusions are pushed down onto the U-shaped tube, (Figure 2).
3. Slide U-shaped tube into the lower arm base. Place 2 washers on 2 M8 bolts and insert through holes. Place 2 washers and nut on the end of each bolt. Using a 1/2" wrench, tighten to $15 \pm 1\text{Nm}$ or $11 \pm 1\text{ft.lb.}$, (Figure 3).



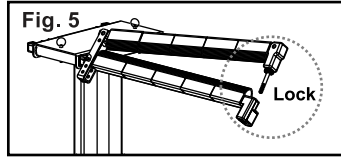
Installation of Arms:

4. Mount carrier base to trailer hitch of the vehicle as described in bike carrier instructions.
5. Align detent pin holes in each carrying hole in top of the rack plate. Fully insert detent pin through the top plate and the carrying arm. **FOR HD MODELS:** Standing at the rear of the vehicle, facing the carrier, slide the upper arm assembly into the left mounting hole of the top plate as shown, until you hear it lock into place (Figure 4).
6. Next slide the lower arm assembly into the right side mounting hole of the top plate as shown, until you hear it lock into place (Figure 4). Insert detent pin as in Step 5.



Loading and Adjusting of Carrier:

7. Using the key, open the lock of the upper arm assembly and swing the upper holding arm open to allow for placing of skis or snowboards, (Figure 5).
8. Starting at spot closest to the vehicle, place the base of the skis or snowboards into the lower arm assembly. Binding should be located between the upper arm assembly and lower arm assembly, (Figure 6).
9. Lay skis against the open upper arm, (Figure 6).
10. Close upper arm assembly, (Figure 7). Make sure the upper arm assembly is completely locked and closed.
11. Skis should fit tight between arms so they cannot slide.



12. For minor adjustments, adjust the dial located on the lock insert, (Figure 8).

