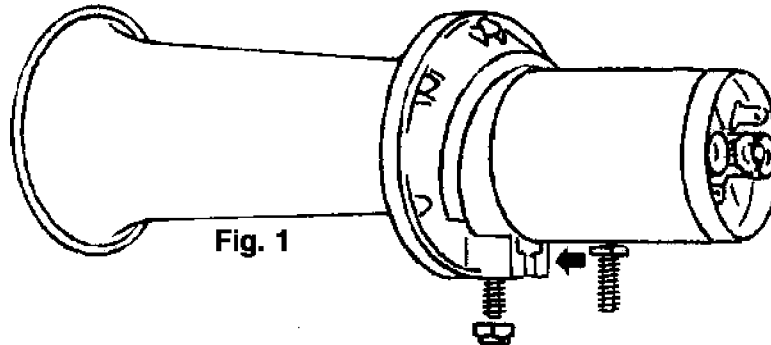


# FUN HORN™ – Model 330

Your purchase of a Wolo FUN HORN is a perfect choice to compliment your vehicle. Our horns are manufactured with the finest of materials. Each horn is bench tested before it's boxed. Workmanship and quality components will assure years of reliable service.

## MOUNTING

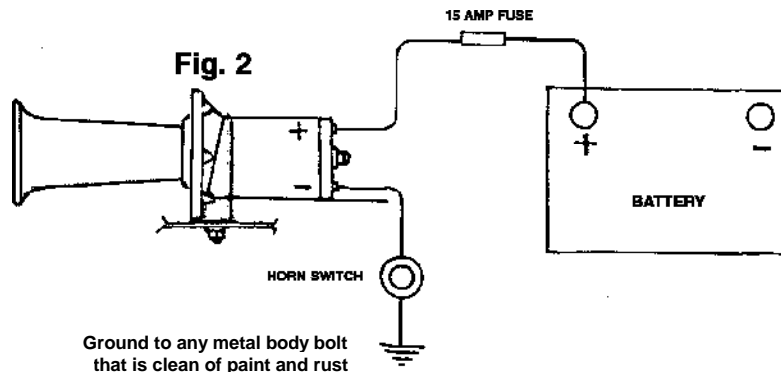
1. LOCATE AN AREA IN THE ENGINE COMPARTMENT THAT IS DRY AND SAFE FROM EXHAUST MANIFOLD HEAT.
2. The Fun Horn's open red trumpet is to be mounted facing downward. This will help prevent water from entering the horn.
3. Drill a 1/4 inch hole at the selected location. Mount as shown in Fig. 1 using bolt and nut.



## WIRING

Your Fun Horn is a two (2) terminal type. **IMPORTANT:** Wire used must be 16 gauge or heavier.

4. Connect to the horn terminal marked (+) 12 volts positive from battery, alt., etc. A 15 amp inline fuse must be used (not included in kit). See Fig. 2.
5. Connect the horn switch to the horn terminal marked (-). See Fig. 2.
6. Connect other wire from horn switch to ground. (Place a wire under any metal body bolt that is clean of paint and rust). See Fig. 2.



Our technicians are available to answer your questions, Monday through Friday from 9 AM to 4 PM EST 1 888-550-Horn (4676).

## WARRANTY

Wolo Manufacturing Corporation ("Wolo") warranties to the original purchaser, for three months from the date of purchase, that this product is free from defects in workmanship and materials. If there is such a proven defect, Wolo, at its option, will either repair or replace the item free of charge, if it is returned to Wolo within three months from the date of purchase together with proof of purchase as described below. Wolo reserves the right to inspect any defect prior to settling any warranty claim by repair or replacement. This warranty is limited as above provided and Wolo will not be responsible for fire or other casualty or accident, due to neglect, abuse, abnormal use, modifications, faulty installation of this product, or natural causes.

ANY EXPRESSED WARRANTY NOT PROVIDED HEREIN IS EXCLUDED AND DISCLAIMED. THE IMPLIED WARRANTIES OF MERCHANTABILITY AND OF FITNESS FOR A PARTICULAR PURPOSE ARE EXPRESSLY LIMITED TO A TERM OF THREE (3) MONTHS. UNDER NO CIRCUMSTANCES SHALL WOLO BE LIABLE TO PURCHASER OR ANY OTHER PERSON FOR ANY SPECIAL OR CONSEQUENTIAL DAMAGES, WHETHER ARISING OUT OF BREACH OF WARRANTY OR OTHERWISE.

To obtain warranty service, return the product prepaid, and include the original bill of sale showing the date of purchase. Provide with the return a brief description of the problem. Also, include with the return a check or money order in the amount of \$10.00 to cover return shipping. Mail to:

**Wolo Manufacturing Corp.**  
**One Saxwood Street, Deer Park, NY 11729**  
**Attn: Warranty Service**  
**E-mail: [tech@wolo-mfg.com](mailto:tech@wolo-mfg.com)**