

INSTALLATION INSTRUCTIONS

ROCKET LOCKER SIDE RAILS

SERIES #39800



Please note: You must follow these instructions to install the parts correctly otherwise damage may occur.
Read all instructions before installation and check to see if all parts listed are included.

KIT CONTENTS

Item#	Qty	Description
1	2	Rocket Locker casting
2	2	Standard Locker casting
3	2	Rail tube
4	1	Hardware & bolt kit
5	4	Rubber expander
6	6	Blue quick connect
7	2	Y-connector
8	4	Bed cap spacers <i>(if required)</i>

BOLT KIT CONTENTS

Item#	Qty	Description
1	4	5/16" Allen head bolt
2	4	Black plastic oval gasket
3	4	Back plate (flange nut)
4	4	White nylon sleeve
5	4	Full-size tube o-ring

RECOMMENDED TOOLS

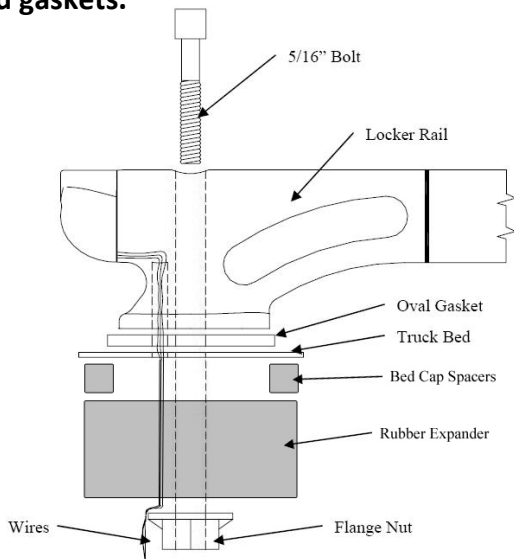
<i>Safety Tools</i>
1. Eye Protection
<i>Special Tools</i>
<i>Installation Tools</i>
1. Allen wrench
2. Pliers
3. Screwdriver
<i>Special Chemicals & Solutions</i>
1. High quality automotive wax

LOCKER RAIL CASTING AND TUBE INSTALLATION INSTRUCTIONS

1 Pre-installation preparation.

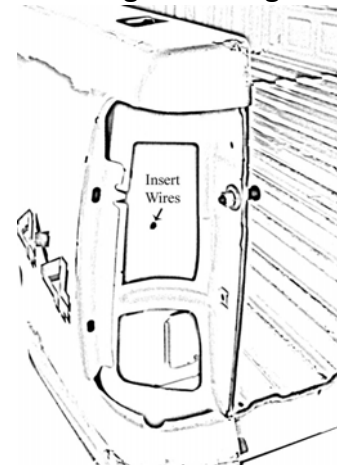
Verify the kit contents (check against parts listing). Remove the protective wrapping from the castings, tubes, and bolt kit. *Note: the rocket casting and light should already be assembled.*

2 Assemble the Rocket Locker casting with all bolts and gaskets.



Feed the wires through the hole in the oval gasket. Then install the Allen head bolt through the hole in the Rocket Locker casting, plastic oval gasket, and rubber expander. Screw the threaded back plate onto the bolt and snugly tighten the plate against the

3 Prepare tail light and begin wiring installation.



Remove the driver's-side tail light by opening the tailgate and removing the screws that hold the light in place. If you are not sure which screws to remove, consult your vehicle's owner's manual. Feed the wires of the Rocket Locker casting through an opening between the stake pocket hole and the tail light opening.

4 Install Rocket Locker casting and tubes.

Insert the back plate and rubber expander into the stake pocket hole until the black gasket sits on top of the truck bed. Place an o-ring on the end of the casting and slide a tube over the casting. Slide a standard casting (with an o-ring installed) in the opposite end of the tube. Install the standard casting in the front stake pocket hole. *Note: Pre-2007 Toyota Tundra trucks require spacers to be placed under the plastic cap at the rear stake pocket holes (two per side).*

LIMITED WARRANTY

Putco guarantees its Stainless Steel and Aluminum products against defects in workmanship and material for as long as you own your vehicle. All painted products have a 90 day warranty on the painted surface. Any defects resulting from faulty material or workmanship will be warranted by Putco and repaired or replaced at our discretion. Putco assumes no extra labor costs. Damages caused by freight carriers, improper installation, misuse, collision, or neglect will not be warranted by Putco. Putco is not liable for any vehicle damage resulting from the installation of our Rocket Locker Side Rails.

LOCKER RAIL CASTING AND TUBE INSTALLATION INSTRUCTIONS (CONTINUED)

5 Complete rail casting and tube installation.

Tighten each Allen headed bolt (front and rear castings).
Continue tightening the bolts until the rail is securely attached to the truck bed.

Vehicle	Rocket Wire	Tail Lamp Wire
1973-1998 2007-2010 Chevy/GMC	Green w/ White tracer	Green (Passenger) Yellow (Driver)
	White w/ Brown tracer	Brown
	Blue w/ White tracer	Black (any bulb)
1999-2006 Chevy/GMC	Green w/ White tracer	Lt. Blue & Blue *
	White w/ Brown tracer	Brown w/ White
	Blue w/ White tracer	Black (any bulb)
1980-1996 Ford F-Series	Green w/ White tracer	Green
	White w/ Brown tracer	Brown
	Blue w/ White tracer	Black
1997-2003 Ford F150 (2004 Heritage) 1999-2007 Ford Super Duty	Green w/ White tracer	Orange (Passenger) Green (Driver)
	White w/ Brown tracer	Brown
	Blue w/ White tracer	Black
2011-Current Ford Super Duty	Green w/ White tracer	Gray w/ Brown
	White w/ Brown tracer	Yellow w/ Green (Driver) Purple w/ Pink (Passenger)
	Blue w/ White tracer	Black w/ White
2001-2004 Ford Sport Track	Green w/ White tracer	Orange (Passenger) Green (Driver)
	White w/ Brown tracer	Brown
	Blue w/ White tracer	Black
2009-2010 Ford F-150	Green w/ White tracer	Grey w/ Black (Driver) Purple w/ Pink (Passenger)
	White w/ Brown	Purple w/ White
	Blue w/ White	Black w/ Green

6 Connect wiring accordingly for your vehicle.

Use the *blue quick connects* to connect the Rocket Locker LED Light to your truck's electrical system. Use pliers to close quick connects over Rocker Wire and Tail Lamp Wire. See below list for more wiring information. *Disconnect your truck's battery prior to installation!*

Vehicle	Rocket Wire	Tail Lamp Wire
2007 Dodge Ram 1500	Green w/ White tracer	White w/ Yellow (Pass.) White w/ Green (Driver)
	White w/ Brown tracer	White w/ Gray (Pass.) White w/ Yellow (Driver)
	Blue w/ White tracer	Black
2002-2006 Dodge Ram 1500	Green w/ White tracer	Brown & Blue
	White w/ Brown tracer	Black w/ Yellow
	Blue w/ White tracer	Black
2003-2004 Dodge Ram 2500-3500	Green w/ White tracer	White & Green (Pass.) Brown & Lt. Blue (Driver)
	White w/ Brown tracer	Pink w/ Purple (Pass.) Black w/ Yellow (Driver)
	Blue w/ White tracer	Black
1994-2001 Dodge Ram 1500 1994-2002 Ram 2500-3500 1997-2004 Dodge Dakota	Green w/ White tracer	Green
	White w/ Brown tracer	Black w/ Yellow
	Blue w/ White tracer	Black
2010-Current Dodge Ram 1500-3500	Green w/ White tracer	White w/ Green (Driver) White w/ Yellow (Pass)
	White w/ Brown tracer	White w/ Green (Driver) White w/ Purple (Pass)
	Blue w/ White tracer	Black
2004-Current Nissan Titan	Green w/ White tracer	Green w/ Yellow
	White w/ Brown tracer	Green w/ White
	Blue w/ White tracer	Black
1986-1996 Dodge Dakota	Green w/ White tracer	Brown w/ Green
	White w/ Brown tracer	Black w/ Yellow
	Blue w/ White tracer	Grey

Vehicle	Rocket Wire	Tail Lamp Wire
Universal Installation (if vehicle is not listed above)	Green w/ White tracer	Turn Signal Brake Light
	White w/ Brown tracer	Running Lamp
	Blue w/ White tracer	Ground

Putco recommends applying a high quality automotive wax to maintain the original appearance, help prevent water spotting, and protect against weathering on your new locker side rails.

Questions? Call Putco's customer service at 1-800-247-3974
Monday – Friday, 8am – 5pm central time
216 West First Street ▪ Story City, IA ▪ 50248
www.putco.com