

PRO FLAPS

#200

1/2 & 3/4 Ton
FORD
INSTALLATION FOR REAR

VEHICLE APPLICATION YEARS:
FORD: 1988-1996

1. Your PRO-FLAPS are designated left (driver's side) and right (passenger side). There is a 5/8" solid bar down the outside edge of the flap material.

2. As you set your PRO-FLAPS into place, position the flap where the lower section of the flap hangs perfectly vertical. You will see that two of the mounting holes are already provided for you in the pickup fender. You will have to drill one hole in the center.

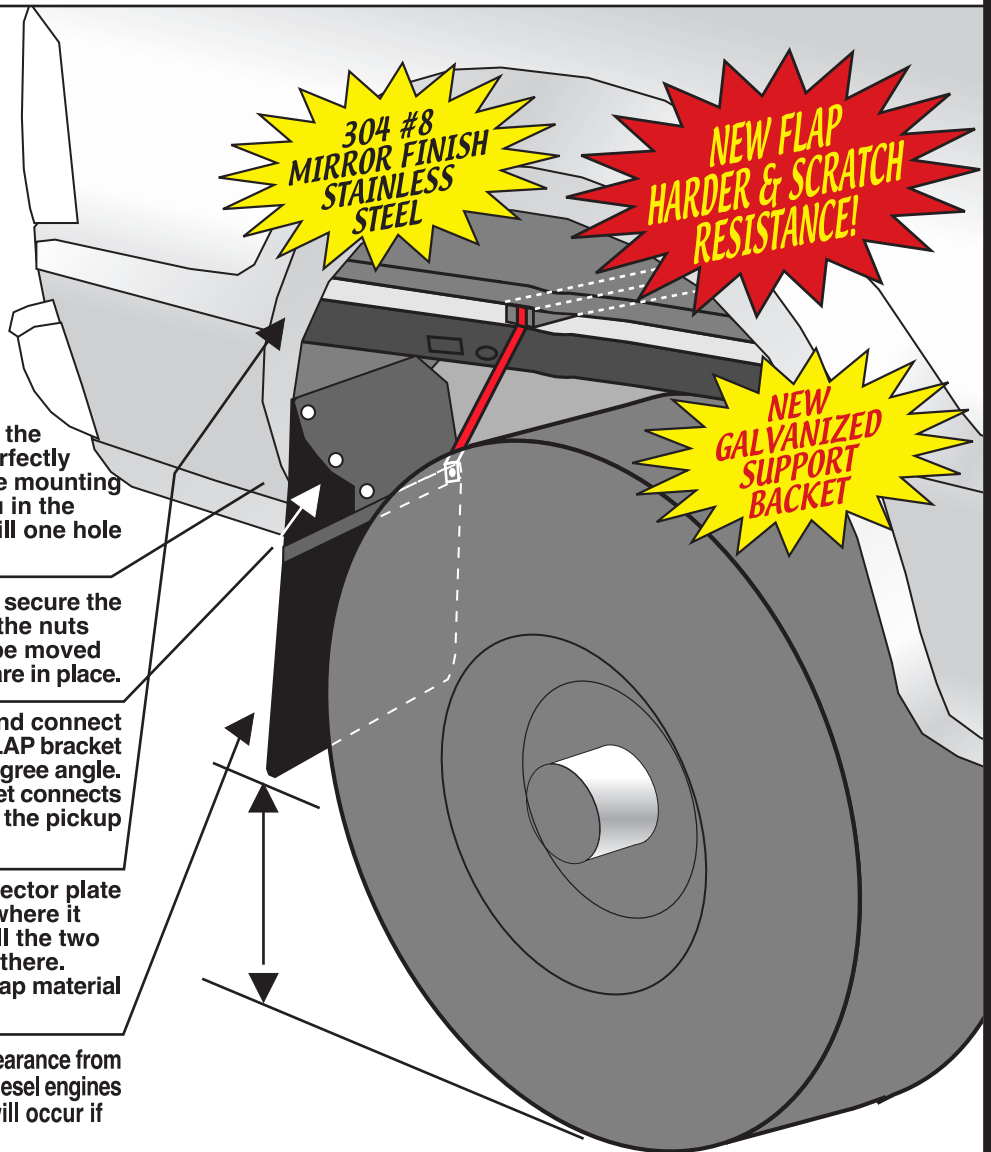
3. Use the six 1/4" x 1 1/4" bolts to secure the PRO-FLAPS to the fender. Leave the nuts loose at this time so the flap can be moved around until all bolts and brackets are in place.

4. Now take the support bracket and connect it to the loose bolt in the top PRO-FLAP bracket using the end that is bent at a 90 degree angle. The other end of the support bracket connects to the square hole at the bottom of the pickup box. (See diagram).

5. Now take the exhaust pipe protector plate and position it on the PRO-FLAP where it would touch the exhaust pipe. Drill the two 1/4" holes in the flap and install it there. (Between steel exhaust plate and flap material place washer's for air separation.)

(PRO-FLAPS) must have a minimum clearance from tires and exhaust pipes of 4 inches, on diesel engines tail pipe, must be 7", Damage to flap will occur if closer!

TIP: Any muffler shop can easily heat and bend exhaust pipe. TIP: Use standard 7" coffee can to set height & level.



The feature that make PRO-FLAPS a NEW and exciting product line is the quality that is built into the Flap from the HEAVY DUTY 3/8 BLACK POLYURETHANE (no regrind) Anti-Spray Design, Groved on the tire side to Direct the Spray down, not out!

INSTALLATION:PARTS INCLUDED:

1. SIX 1/4" X 1 1/4" bolts
2. Four 1/4" x 1" bolts
3. 22- 1/4 flat washers
4. Two support brackets
5. 10- nylock nuts
6. One set of PRO-FLAPS

TOOLS REQUIRED:

- A. (2) 7/16 End wrenches
- B. Drill motor
- C. 1/4" drill bit

Contact your F.R.U./PRO FLAPS Dealer
Or F.R.U. at 260 E. Pomona Rd., Yakima, WA 98901
Phone: (509) 453-4318 • Fax: (509) 249-8570

©2004 FRU All right reserved.