

StreetGlow®

3" LED TUBE

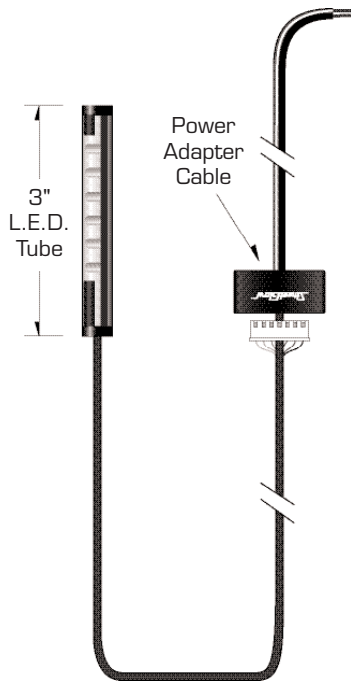
CONTENTS:

- 1 - 3" L.E.D. Tube
- 1 - Power Adapter Cable
- All necessary mounting hardware

Installation Instructions

- Step 1 Mount the L.E.D. Tube in the desired location using the double sided tape provided.
- Step 2 Make connection of power (+) and ground (-) wires.
STRIPED wire = 12v battery (+)
BLACK wire = negative ground (-)

NOTE: L.E.D. Tube is able to be animated by the L.E.D. Digital Pattern Controller (SGLC4, sold separately). To connect the unit to the controller, simply unplug the power adapter cable and plug the control wire into one of the available ports on the back of the SGLC4 (see SGLC4 instructions for details).



The retailer shall not be held responsible for any damages that occur as a result of defective products. StreetGlow products are recommended for show and off-road use only. Laws concerning the use of aftermarket lighting products may vary from state to state. For more information, please check with your local authority.

Design and specifications are subject to change without notice.

StreetGlow®

6" LED TUBE

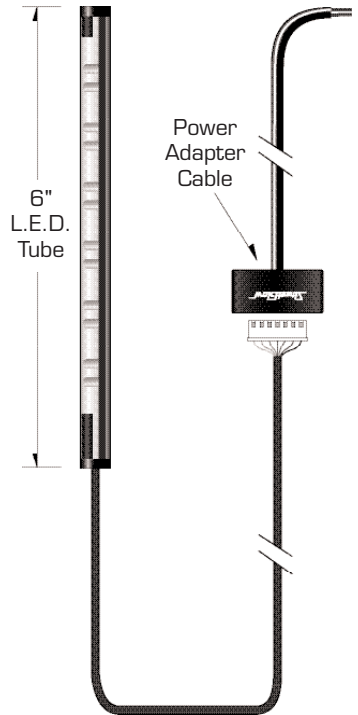
CONTENTS:

- 1 - 6" L.E.D. Tube
- 1 - Power Adapter Cable
- All necessary mounting hardware

Installation Instructions

- Step 1 Mount the L.E.D. Tube in the desired location using the double sided tape provided.
- Step 2 Make connection of power (+) and ground (-) wires.
STRIPED wire = 12v battery (+)
BLACK wire = negative ground (-)

NOTE: L.E.D. Tube is able to be animated by the L.E.D. Digital Pattern Controller (SGLC4, sold separately). To connect the unit to the controller, simply unplug the power adapter cable and plug the control wire into one of the available ports on the back of the SGLC4 (see SGLC4 instructions for details).



The retailer shall not be held responsible for any damages that occur as a result of defective products. StreetGlow products are recommended for show and off-road use only. Laws concerning the use of aftermarket lighting products may vary from state to state. For more information, please check with your local authority.

Design and specifications are subject to change without notice.

StreetGlow®

9" LED TUBE

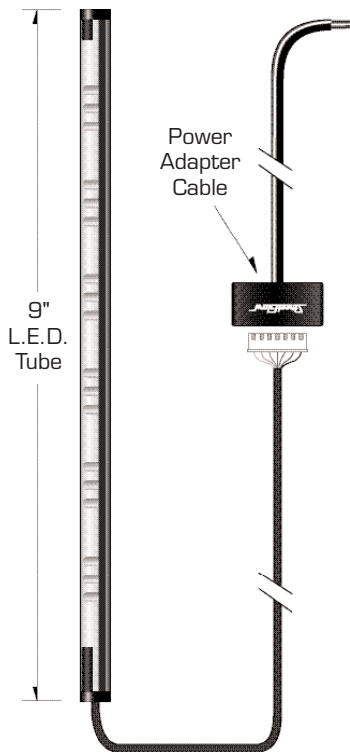
CONTENTS:

- 1 - 9" L.E.D. Tube
- 1 - Power Adapter Cable
- All necessary mounting hardware

Installation Instructions

- Step 1 Mount the L.E.D. Tube in the desired location using the double sided tape provided.
- Step 2 Make connection of power (+) and ground (-) wires.
STRIPED wire = 12v battery (+)
BLACK wire = negative ground (-)

NOTE: L.E.D. Tube is able to be animated by the L.E.D. Digital Pattern Controller (SGLC4, sold separately). To connect the unit to the controller, simply unplug the power adapter cable and plug the control wire into one of the available ports on the back of the SGLC4 (see SGLC4 instructions for details).



The retailer shall not be held responsible for any damages that occur as a result of defective products. StreetGlow products are recommended for show and off-road use only. Laws concerning the use of aftermarket lighting products may vary from state to state. For more information, please check with your local authority.

Design and specifications are subject to change without notice.

StreetGlow®

15" LED TUBE

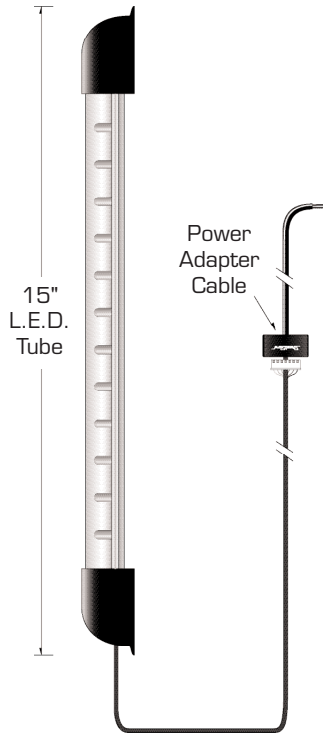
CONTENTS:

- 1 - 15" L.E.D. Tube
- 1 - Power Adapter Cable
- All necessary mounting hardware

Installation Instructions

- Step 1 Mount the L.E.D. Tube in the desired location using the using the screws provided.
- Step 2 Make connection of power (+) and ground (-) wiers.
- STRIPED wire = 12v battery (+)
BLACK wire = negative ground (-)

NOTE: L.E.D. Tube is able to be animated by the L.E.D. Digital Pattern Controller (SGLC4, sold separately). To connect the unit to the controller, simply unplug the power adapter cable and plug the control wire into one of the available ports on the back of the SGLC4 (see SGLC4 instructions for details).



The retailer shall not be held responsible for any damages that occur as a result of defective products. StreetGlow products are recommended for show and off-road use only. Laws concerning the use of aftermarket lighting products may vary from state to state. For more information, please check with your local authority.

Design and specifications are subject to change without notice.

StreetGlow®

20" LED TUBE

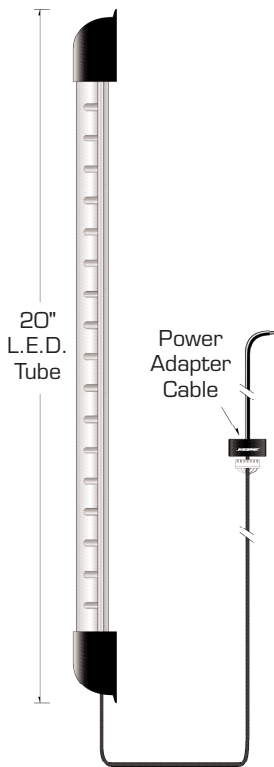
CONTENTS:

- 1 - 20" L.E.D. Tube
- 1 - Power Adapter Cable
- All necessary mounting hardware

Installation Instructions

- Step 1 Mount the L.E.D. Tube in the desired location using the screws provided.
- Step 2 Make connection of power (+) and ground (-) wires.
STRIPED wire = 12v battery (+)
BLACK wire = negative ground (-)

NOTE: L.E.D. Tube is able to be animated by the L.E.D. Digital Pattern Controller (SGLC4, sold separately). To connect the unit to the controller, simply unplug the power adapter cable and plug the control wire into one of the available ports on the back of the SGLC4 (see SGLC4 instructions for details).



The retailer shall not be held responsible for any damages that occur as a result of defective products. StreetGlow products are recommended for show and off-road use only. Laws concerning the use of aftermarket lighting products may vary from state to state. For more information, please check with your local authority.

Design and specifications are subject to change without notice.