

PRO-SERIES® WIRELESS REMOTE STROBE SYSTEM INSTALLATION INSTRUCTIONS



**WARNING!
HIGH VOLTAGE**

When the **Pro Strobe Kit** is powered, the strobe head outlets contain High Voltage. Wait 5 minutes after turning the **Pro Strobe Kit** off before attempting service of any kind. Do not plug strobe bulbs into the unit when the unit is powered.

Proper installation of this product requires the installer to have a good understanding of automotive electronics, systems and procedures.

1. TECHNICAL SPECIFICATION

INPUT VOLTAGE	11 – 14.5V
CURRENT DRAW	5 amps
OUTPUT POWER	75 watts
OUTPUT VOLTAGE	400 volts DC max

2. SYSTEM CONTENTS

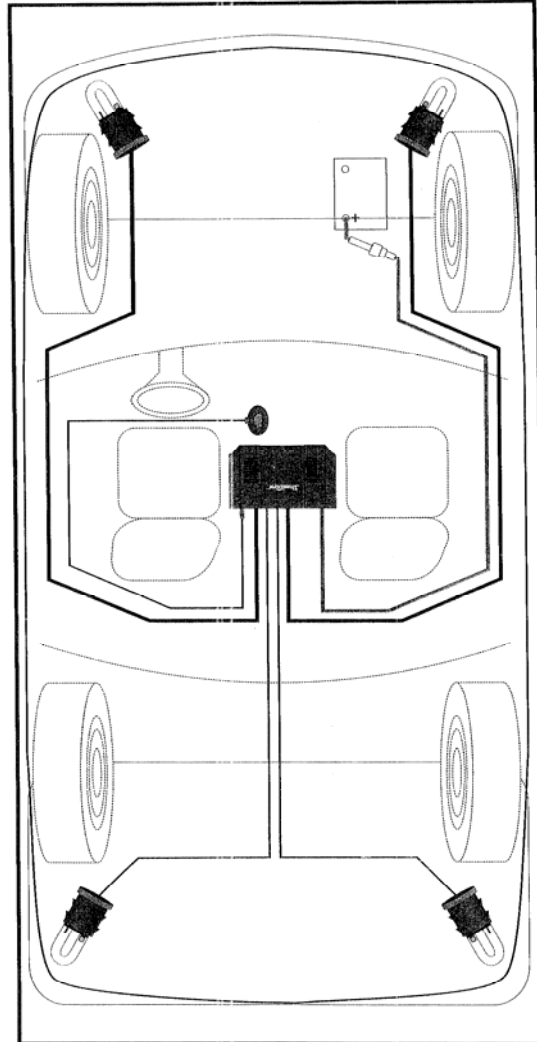
- 1 – 4 Head Power supply
 - 1 – Wireless Remote Key Fob
 - 1 – Dashboard Mount L.E.D. Real-Time Display Control Panel with 4' Cable
 - 4 – 15' Strobe Cable Leads
 - 4 – U-Shape strobe bulbs
- All necessary mounting hardware and installation instruction



WARNING!!
Read installation instructions before connecting. Reversing polarity causes failure & will VOID warranty

3. SYSTEM LAYOUT

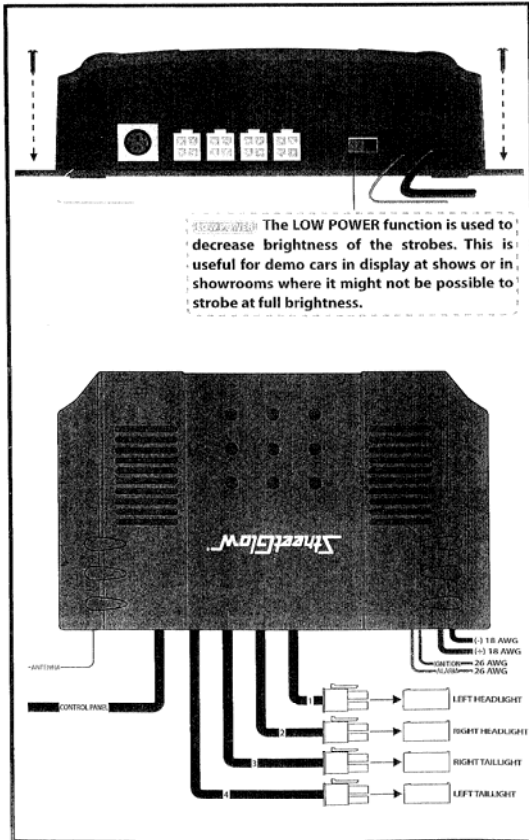
Plan the system layout before beginning installation. A diagram provided depicts a typical system layout.



StreetGlow®
The Process of Illumination™

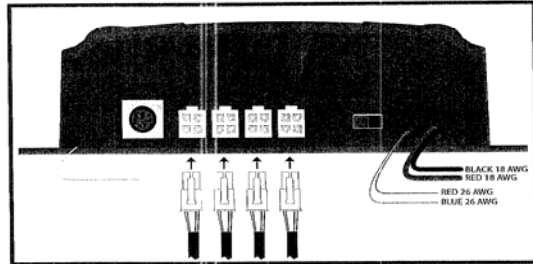
4. INSTALLING POWER SUPPLY

1. Choose a location (a flat surface that is clean and dry) to mount the 4 Head Power Supply. Locations may include under the dash board, under the front seat, inside the glove compartment, etc. NOTE: Before inserting and tightening any attaching screws, check to see that no wires will be pinched or cut when tightening the screws.
2. The 4 Head Power Supply attaches using four (4) 1" self-tapping screws provided.
3. Choose a location (a flat surface that is clean and dry) to mount the Dashboard Mount L.E.D. Real-Time Display Control Panel.
4. The Dashboard Mount L.E.D. Real-Time Display Control Panel attaches using double sided tape provided.
5. Plug in the 6 DIN connector (the 4' cable attached to the Dashboard Mount L.E.D. Real-Time Display Control Panel) into the back of the 4 Head Power Supply where marked "CONTROL PANEL".



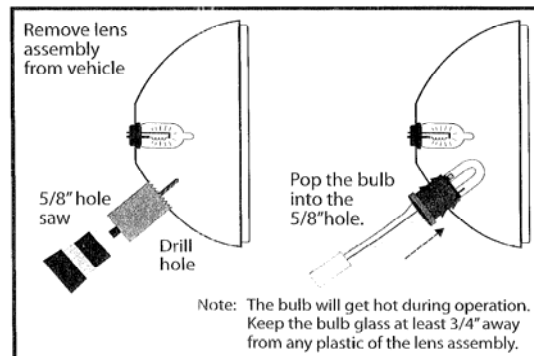
5. POWER WIRE CONNECTIONS FOR THE 4 HEAD POWER SUPPLY

1. Connect the RED 18 AWG wire with the fuse from the 4 Head Power Supply to a (+) positive side of the battery or equivalent 12V power source.
2. Connect the BLACK 18 AWG wire from the 4 Head Power Supply to a (-) negative side of the battery or equivalent chassis ground.
3. Connect the RED 26 AWG wire from the 4 Head Power Supply to a 12V ignition.
4. Connect the BLUE 26 AWG wire from the 4 Head Power Supply to the positive alarm trigger wire of the siren. (optional connection)
5. Extend the GREY antenna wire to its full length.



6. BULB INSTALLATION

1. Remove headlight lens assembly from vehicle.
2. Choose a location to install bulb in headlight lens assembly and drill a 5/8" hole at this location.
3. Remove completely all drill filings from headlight lens assembly after drilling hole.
4. Carefully insert one (1) of the U-Shape strobe bulbs into the 5/8" hole.
5. Repeat steps 1 through 4 for the other headlight and the two taillight assemblies.

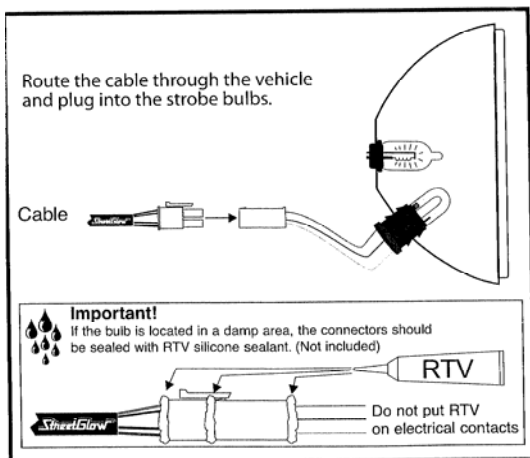




7. STROBE CABLE LEAD INSTALLATION

- Route a strobe cable lead through the vehicle from the headlight assembly back to the power supply. NOTE: When routing the cable, keep wires away from all moving parts and areas of extreme heat (particularly exhaust system components).
- Plug one end of the strobe cable lead into the end of the U-Shape strobe bulb in the headlight assembly.
- Plug the other end of the strobe cable lead into an output connector located in the 4 Head Power Supply.
- Repeat steps 1 through 3 for the other headlight and the two taillight assemblies.
- The output connectors are as follows:

Location in 4 Head Power Supply	Controls
Location #1	Left Headlight
Location #2	Right Headlight
Location #3	Right Taillight
Location #4	Left Taillight



WARNING!!
 Read installation instructions before connecting. **Reversing polarity causes failure & will VOID warranty**

8. BASIC OPERATIONS

1. DASHBOARD MOUNT L.E.D. REAL TIME DISPLAY CONTROL PANEL FUNCTIONS

- a. To turn the system on or off, press and hold center button for 1 second until system turns on or off.
- b. To change strobe patterns, press center button to scroll through pattern modes. (The sequence modes will be Demo mode followed by Pattern 1 through Pattern 14)



2. WIRELESS REMOTE SYSTEM CODE MATCHING PROCEDURES

- a. Once the 4 Head Power Supply is connected (Step 5) the system will automatically run into the code matching mode for 1 minute. The L.E.D. indicators in the Dashboard Mount L.E.D. Real-Time Display Control Panel will track clockwise around the panel, an indication that the Dashboard Mount L.E.D. Real-Time Display Control Panel is in the code matching mode status.
- b. Press and hold center button of the Wireless Remote Key fob while Dashboard Mount L.E.D. Real-Time Display Control Panel is in code matching mode. The 4 Head Power Supply will learn system code for the Remote. L.E.D.s in the Dashboard Mount L.E.D. Real-Time Display Control Panel will blink 4 times in a short period to confirm successful matching and then stop. The remote system is ready for use.

NOTE 1: If during the code matching mode the key fob learning procedure fails, the system automatically reverts into standby mode and the Wireless Remote Key Fob will not work properly. Disconnect the RED 18 AWG wire with the fuse from the 4 Head Power Supply from the (+) positive side of the battery (or equivalent 12V power source) for one minute and then perform steps a and b to complete the code matching procedures. This procedure also applies when programming a replacement Wireless Key Fob.

NOTE 2: When there is a total vehicle power failure (i.e.; disconnected battery), the 4 Head Power Supply will automatically revert to the code matching mode. Repeat steps a and b to complete the code matching procedures.

3. WIRELESS REMOTE KEY FOB FUNCTIONS

- a. To turn the system on or off, press and hold the center button of the Wireless Remote Key Fob for 1 second until system turns on or off.
- b. To change strobe patterns, press center button of the Wireless Remote Key Fob to scroll through pattern modes. (The sequence modes will be Demo mode followed by Pattern 1 through Pattern 14)

