

StreetGlow®

3" SUPER BRIGHT NEON

CONTENTS:

2- 3" Super Bright Neon
Tubes with Inline
Transformer and
Lighter Adapter
All necessary mounting
hardware

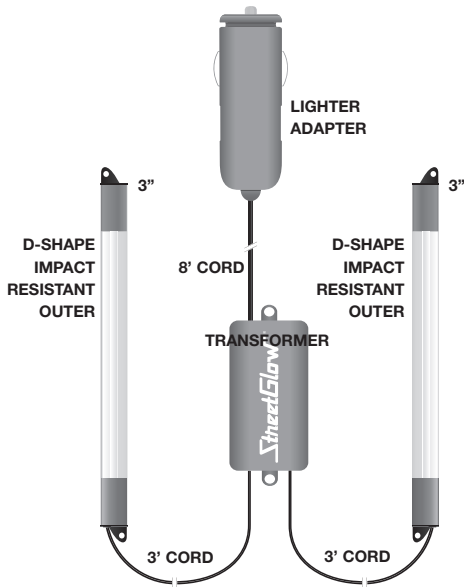
INSTRUCTIONS:

1) Select the desired
location for mounting
tubes and
transformer.

2) Insert lighter adapter
into vehicle s 12v
socket.

3) For permanent
hook- up cut off
lighter adapter:
¥ Striped wire =
12v power (+)
¥ Black wire =
Ground (-)

4) Enjoy!



FOR INTERIOR USE ONLY

All StreetGlow products are covered by a comprehensive warranty.

StreetGlow neon products are warranted against defective materials and workmanship for as long as the original purchaser owns the product. StreetGlow Radio Bars and other non-neon products (excluding fog lights and driving lights, and Xenon white bulbs) are warranted against defective materials and workmanship for two years from date of purchase. Fog lights and driving lights, and Xenon white bulbs are warranted for one year from date of purchase. Any product that should fail for either defective materials or workmanship will be repaired or replaced, at StreetGlow's option, as the sole remedy of the buyer. Proof of purchase is required. All warranty claims are to be handled by selling agents. Accident, abuse, neglect, modifications, broken glass (with the exception of SG201 Undercar Kit), labor, transportation, improper installation and the use of products other than for their intended purposes are not covered. NEITHER SELLER NOR THE MANUFACTURER SHALL BE LIABLE FOR ANY INJURY, LOSS OR DAMAGE, DIRECT, INCIDENTAL OR CONSEQUENTIAL (INCLUDING, BUT NOT LIMITED TO INCIDENTAL OR CONSEQUENTIAL DAMAGES FOR LOST PROFITS, LOST SALES, INJURY TO PERSON OR PROPERTY OR ANY OTHER INCIDENTAL OR CONSEQUENTIAL LOSS), ARISING OUT OF THE USE OR THE INABILITY TO USE THE PRODUCT AND THE USER AGREES THAT NO OTHER REMEDY SHALL BE AVAILABLE TO IT. Before using, the user shall determine the suitability of the product for the intended use, and user assumes all risk and liability whatsoever in connection therewith. Some states and countries do not allow the exclusion or limitation of incidental or consequential damages, so the above limitations or exclusions may not apply to you. This warranty gives you specific legal rights and you may also have other rights, which vary from state to state and from country to country. DISCLAIMER: THE FOREGOING WARRANTY IS AN EXCLUSIVE WARRANTY IN LIEU OF ANY OTHER EXPRESS WARRANTIES. ANY IMPLIED WARRANTIES (INCLUDING, BUT NOT LIMITED TO ANY IMPLIED WARRANTY OF MERCHANTABILITY OR FITNESS FOR A PARTICULAR PURPOSE) TO THE EXTENT THAT IT COULD APPLY TO ANY OF THE PRODUCTS MANUFACTURED BY THE COMPANY SHALL BE LIMITED IN DURATION TO THE PERIODS OF THE EXPRESS WARRANTY GIVEN ABOVE.

WARNING!

The retailer shall not be held responsible for any damages that may occur as a result of defective products. StreetGlow products are recommended for show and off-road use only.

Design and specifications are subject to change without notice.

StreetGlow®

6" SUPER BRIGHT NEON

CONTENTS:

2- 6" Super Bright Neon
Tubes with Inline
Transformer and
Lighter Adapter
*All necessary mounting
hardware*

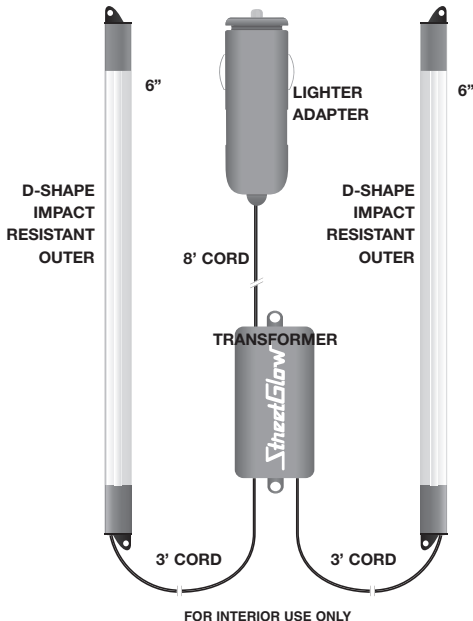
INSTRUCTIONS:

1) Select the desired
location for mounting
tubes and
transformer.

2) Insert lighter adapter
into vehicle's 12v
socket.

3) For permanent
hook-up cut off
lighter adapter:
¥ Striped wire =
12v power (+)
¥ Black wire =
Ground (-)

4) Enjoy!



All StreetGlow products are covered by a comprehensive warranty.

StreetGlow neon products are warranted against defective materials and workmanship for as long as the original purchaser owns the product. StreetGlow Radio Bars and other non-neon products (excluding fog lights and driving lights, and Xenon white bulbs) are warranted against defective materials and workmanship for two years from date of purchase. Fog lights and driving lights, and Xenon white bulbs are warranted for one year from date of purchase. Any product that should fail for either defective materials or workmanship will be repaired or replaced, at StreetGlow's option, as the sole remedy of the buyer. Proof of purchase is required. All warranty claims are to be handled by selling agents. Accident, abuse, neglect, modifications, broken glass (with the exception of SG201 Undercar Kit), labor, transportation, improper installation and the use of products other than for their intended purposes are not covered. NEITHER SELLER NOR THE MANUFACTURER SHALL BE LIABLE FOR ANY INJURY, LOSS OR DAMAGE, DIRECT, INCIDENTAL OR CONSEQUENTIAL (INCLUDING, BUT NOT LIMITED TO INCIDENTAL OR CONSEQUENTIAL DAMAGES FOR LOST PROFITS, LOST SALES, INJURY TO PERSON OR PROPERTY OR ANY OTHER INCIDENTAL OR CONSEQUENTIAL LOSS), ARISING OUT OF THE USE OR THE INABILITY TO USE THE PRODUCT AND THE USER AGREES THAT NO OTHER REMEDY SHALL BE AVAILABLE TO IT. Before using, the user shall determine the suitability of the product for the intended use, and user assumes all risk and liability whatsoever in connection therewith. Some states and countries do not allow the exclusion or limitation of incidental or consequential damages, so the above limitations or exclusions may not apply to you. This warranty gives you specific legal rights and you may also have other rights, which vary from state to state and from country to country. **DISCLAIMER: THE FOREGOING WARRANTY IS AN EXCLUSIVE WARRANTY IN LIEU OF ANY OTHER EXPRESS WARRANTIES. ANY IMPLIED WARRANTIES (INCLUDING, BUT NOT LIMITED TO ANY IMPLIED WARRANTY OF MERCHANTABILITY OR FITNESS FOR A PARTICULAR PURPOSE) TO THE EXTENT THAT IT COULD APPLY TO ANY OF THE PRODUCTS MANUFACTURED BY THE COMPANY SHALL BE LIMITED IN DURATION TO THE PERIODS OF THE EXPRESS WARRANTY GIVEN ABOVE.**

WARNING!

The retailer shall not be held responsible for any damages that may occur as a result of defective products. StreetGlow products are recommended for show and off-road use only.

Design and specifications are subject to change without notice.

StreetGlow®

9" SUPER BRIGHT NEON

CONTENTS:

2- 9" Super Bright Neon
Tubes with Inline
Transformer and
Lighter Adapter
All necessary mounting
hardware

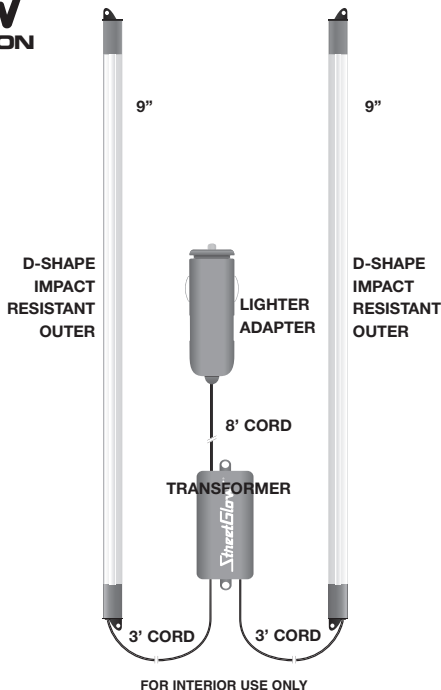
INSTRUCTIONS:

1) Select the desired
location for mounting
tubes and
transformer.

2) Insert lighter adapter
into vehicle's 12v
socket.

3) For permanent
hook-up cut off
lighter adapter:
✦ Striped wire =
12v power (+)
✦ Black wire =
Ground (-)

4) Enjoy!



All StreetGlow products are covered by a comprehensive warranty.

StreetGlow neon products are warranted against defective materials and workmanship for as long as the original purchaser owns the product. StreetGlow Radio Bars and other non-neon products (excluding fog lights and driving lights, and Xenon white bulbs) are warranted against defective materials and workmanship for two years from date of purchase. Fog lights and driving lights, and Xenon white bulbs are warranted for one year from date of purchase. Any product that should fail for either defective materials or workmanship will be repaired or replaced, at StreetGlow's option, as the sole remedy of the buyer. Proof of purchase is required. All warranty claims are to be handled by selling agents. Accident, abuse, neglect, modifications, broken glass (with the exception of SG201 Undercar Kit), labor, transportation, improper installation and the use of products other than for their intended purposes are not covered. NEITHER SELLER NOR THE MANUFACTURER SHALL BE LIABLE FOR ANY INJURY, LOSS OR DAMAGE, DIRECT, INCIDENTAL OR CONSEQUENTIAL (INCLUDING, BUT NOT LIMITED TO INCIDENTAL OR CONSEQUENTIAL DAMAGES FOR LOST PROFITS, LOST SALES, INJURY TO PERSON OR PROPERTY OR ANY OTHER INCIDENTAL OR CONSEQUENTIAL LOSS), ARISING OUT OF THE USE OR THE INABILITY TO USE THE PRODUCT AND THE USER AGREES THAT NO OTHER REMEDY SHALL BE AVAILABLE TO IT. Before using, the user shall determine the suitability of the product for the intended use, and user assumes all risk and liability whatsoever in connection therewith. Some states and countries do not allow the exclusion or limitation of incidental or consequential damages, so the above limitations or exclusions may not apply to you. This warranty gives you specific legal rights and you may also have other rights, which vary from state to state and from country to country. **DISCLAIMER: THE FOREGOING WARRANTY IS AN EXCLUSIVE WARRANTY IN LIEU OF ANY OTHER EXPRESS WARRANTIES. ANY IMPLIED WARRANTIES (INCLUDING, BUT NOT LIMITED TO ANY IMPLIED WARRANTY OF MERCHANTABILITY OR FITNESS FOR A PARTICULAR PURPOSE) TO THE EXTENT THAT IT COULD APPLY TO ANY OF THE PRODUCTS MANUFACTURED BY THE COMPANY SHALL BE LIMITED IN DURATION TO THE PERIODS OF THE EXPRESS WARRANTY GIVEN ABOVE.**

WARNING!

The retailer shall not be held responsible for any damages that may occur as a result of defective products. StreetGlow products are recommended for show and off-road use only.

Design and specifications are subject to change without notice.

StreetGlow®

12" SUPER BRIGHT NEON

CONTENTS:

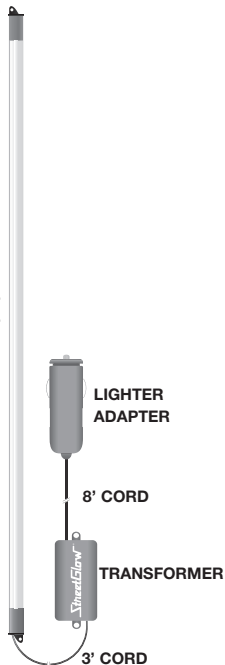
- 1- 12" Super Bright Neon Tubes with
Inline Transformer and Lighter
Adapter
- All necessary mounting hardware

INSTRUCTIONS:

- 1) Select the desired location for mounting tubes and transformer.
- 2) Insert lighter adapter into vehicle's 12v socket.
- 3) For permanent hook-up cut off lighter adapter:
 - ¥ Striped wire = 12v power (+)
 - ¥ Black wire = Ground (-)
- 4) Enjoy!

**D-SHAPE
IMPACT
RESISTANT
OUTER**

12"



FOR INTERIOR USE ONLY

All StreetGlow products are covered by a comprehensive warranty.

StreetGlow neon products are warranted against defective materials and workmanship for as long as the original purchaser owns the product. StreetGlow Radio Bars and other non-neon products (excluding fog lights and driving lights, and Xenon white bulbs) are warranted against defective materials and workmanship for two years from date of purchase. Fog lights and driving lights, and Xenon white bulbs are warranted for one year from date of purchase. Any product that should fail for either defective materials or workmanship will be repaired or replaced, at StreetGlow's option, as the sole remedy of the buyer. Proof of purchase is required. All warranty claims are to be handled by selling agents. Accident, abuse, neglect, modifications, broken glass (with the exception of SG201 Undercar Kit), labor, transportation, improper installation and the use of products other than for their intended purposes are not covered. NEITHER SELLER NOR THE MANUFACTURER SHALL BE LIABLE FOR ANY INJURY, LOSS OR DAMAGE, DIRECT, INCIDENTAL OR CONSEQUENTIAL (INCLUDING, BUT NOT LIMITED TO INCIDENTAL OR CONSEQUENTIAL DAMAGES FOR LOST PROFITS, LOST SALES, INJURY TO PERSON OR PROPERTY OR ANY OTHER INCIDENTAL OR CONSEQUENTIAL LOSS), ARISING OUT OF THE USE OR THE INABILITY TO USE THE PRODUCT AND THE USER AGREES THAT NO OTHER REMEDY SHALL BE AVAILABLE TO IT. Before using, the user shall determine the suitability of the product for the intended use, and user assumes all risk and liability whatsoever in connection therewith. Some states and countries do not allow the exclusion or limitation of incidental or consequential damages, so the above limitations or exclusions may not apply to you. This warranty gives you specific legal rights and you may also have other rights, which vary from state to state and from country to country. **DISCLAIMER: THE FOREGOING WARRANTY IS AN EXCLUSIVE WARRANTY IN LIEU OF ANY OTHER EXPRESS WARRANTIES. ANY IMPLIED WARRANTIES (INCLUDING, BUT NOT LIMITED TO ANY IMPLIED WARRANTY OF MERCHANTABILITY OR FITNESS FOR A PARTICULAR PURPOSE) TO THE EXTENT THAT IT COULD APPLY TO ANY OF THE PRODUCTS MANUFACTURED BY THE COMPANY SHALL BE LIMITED IN DURATION TO THE PERIODS OF THE EXPRESS WARRANTY GIVEN ABOVE.**

WARNING!

The retailer shall not be held responsible for any damages that may occur as a result of defective products. StreetGlow products are recommended for show and off-road use only.

Design and specifications are subject to change without notice.

StreetGlow®

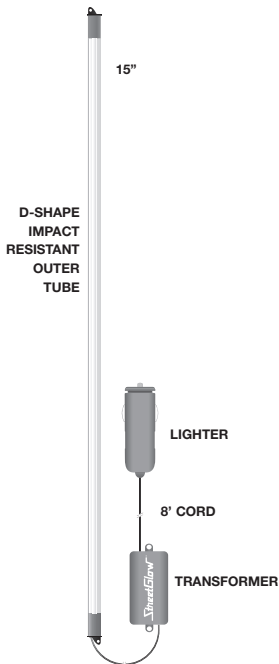
15" SUPER BRIGHT NEON

CONTENTS:

- 1- 15" Super Bright Neon Tubes with Inline Transformer and Lighter Adapter
- All necessary mounting hardware

INSTRUCTIONS:

- 1) Select the desired location for mounting tubes and transformer.
- 2) Insert lighter adapter into vehicle's 12v socket.
- 3) For permanent hook-up cut off lighter adapter:
 - ¥ Striped wire = 12v power (+)
 - ¥ Black wire = Ground (-)
- 4) Enjoy!



FOR INTERIOR USE ONLY

All StreetGlow products are covered by a comprehensive warranty.

StreetGlow neon products are warranted against defective materials and workmanship for as long as the original purchaser owns the product. StreetGlow Radio Bars and other non-neon products (excluding fog lights and driving lights, and Xenon white bulbs) are warranted against defective materials and workmanship for two years from date of purchase. Fog lights and driving lights, and Xenon white bulbs are warranted for one year from date of purchase. Any product that should fail for either defective materials or workmanship will be repaired or replaced, at StreetGlow's option, as the sole remedy of the buyer. Proof of purchase is required. All warranty claims are to be handled by selling agents. Accident, abuse, neglect, modifications, broken glass (with the exception of SG201 Undercar Kit), labor, transportation, improper installation and the use of products other than for their intended purposes are not covered. NEITHER SELLER NOR THE MANUFACTURER SHALL BE LIABLE FOR ANY INJURY, LOSS OR DAMAGE, DIRECT, INCIDENTAL OR CONSEQUENTIAL (INCLUDING, BUT NOT LIMITED TO INCIDENTAL OR CONSEQUENTIAL DAMAGES FOR LOST PROFITS, LOST SALES, INJURY TO PERSON OR PROPERTY OR ANY OTHER INCIDENTAL OR CONSEQUENTIAL LOSS), ARISING OUT OF THE USE OR THE INABILITY TO USE THE PRODUCT AND THE USER AGREES THAT NO OTHER REMEDY SHALL BE AVAILABLE TO IT. Before using, the user shall determine the suitability of the product for the intended use, and user assumes all risk and liability whatsoever in connection therewith. Some states and countries do not allow the exclusion or limitation of incidental or consequential damages, so the above limitations or exclusions may not apply to you. This warranty gives you specific legal rights and you may also have other rights, which vary from state to state and from country to country. DISCLAIMER: THE FOREGOING WARRANTY IS AN EXCLUSIVE WARRANTY IN LIEU OF ANY OTHER EXPRESS WARRANTIES. ANY IMPLIED WARRANTIES (INCLUDING, BUT NOT LIMITED TO ANY IMPLIED WARRANTY OF MERCHANTABILITY OR FITNESS FOR A PARTICULAR PURPOSE) TO THE EXTENT THAT IT COULD APPLY TO ANY OF THE PRODUCTS MANUFACTURED BY THE COMPANY SHALL BE LIMITED IN DURATION TO THE PERIODS OF THE EXPRESS WARRANTY GIVEN ABOVE.

FOR INTERIOR USE ONLY

The retailer shall not be held responsible for any damages that may occur as a result of defective products. StreetGlow products are recommended for show and off-road use only.

Design and specifications are subject to change without notice.