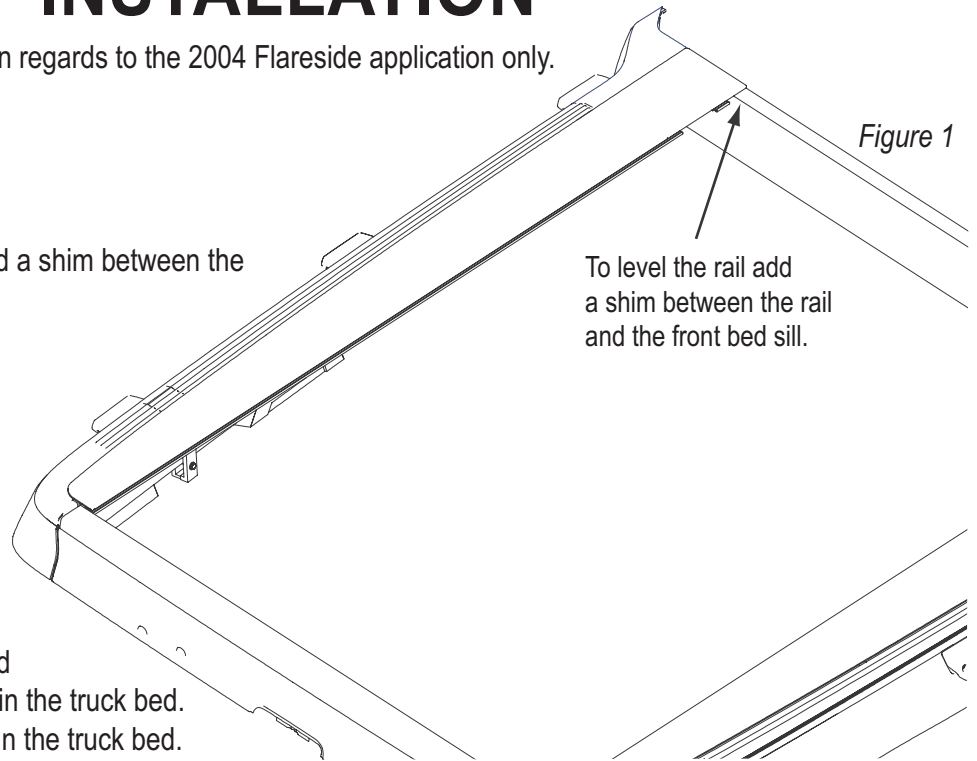


2004 FORD FLARESIDE RAIL & CLAMP INSTALLATION

This supplement to these instructions is in regards to the 2004 Flareside application only.

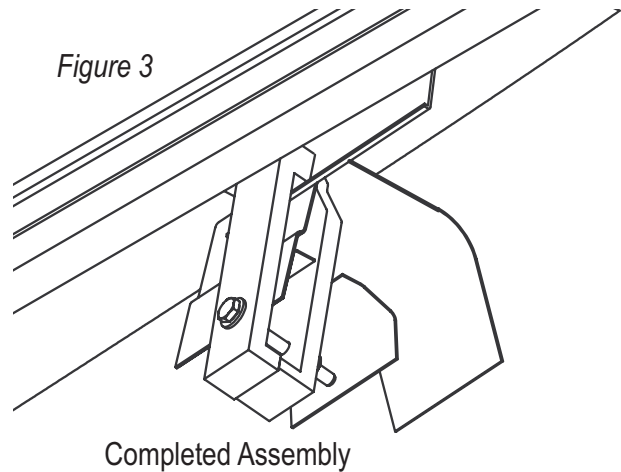
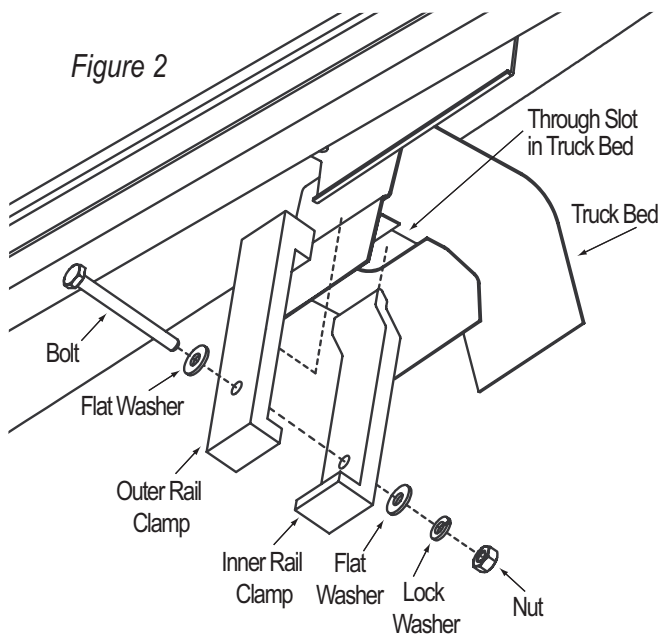
Leveling the Rail

1. To Level the rails it is necessary to add a shim between the rail and the front bed sill. (Figure 1)



Installing the Rail Clamps

1. Looking at the underside of the rail and truck bed, locate the factory open slot in the truck bed.
2. Install the clamps through these slots in the truck bed. (Figure 2)
3. Hold the rail down and the clamp up while tightening the bolts in the clamps. Do Not over tighten. (Figure 3)



Be sure to hold the rail *down* and the clamp *up* while tightening the clamps in place. This will insure a snug fit to the Truck Bed. *Do not over tighten the clamps.*

Thank you for choosing...



If you have any questions please call our technical support at: **800-338-3697**