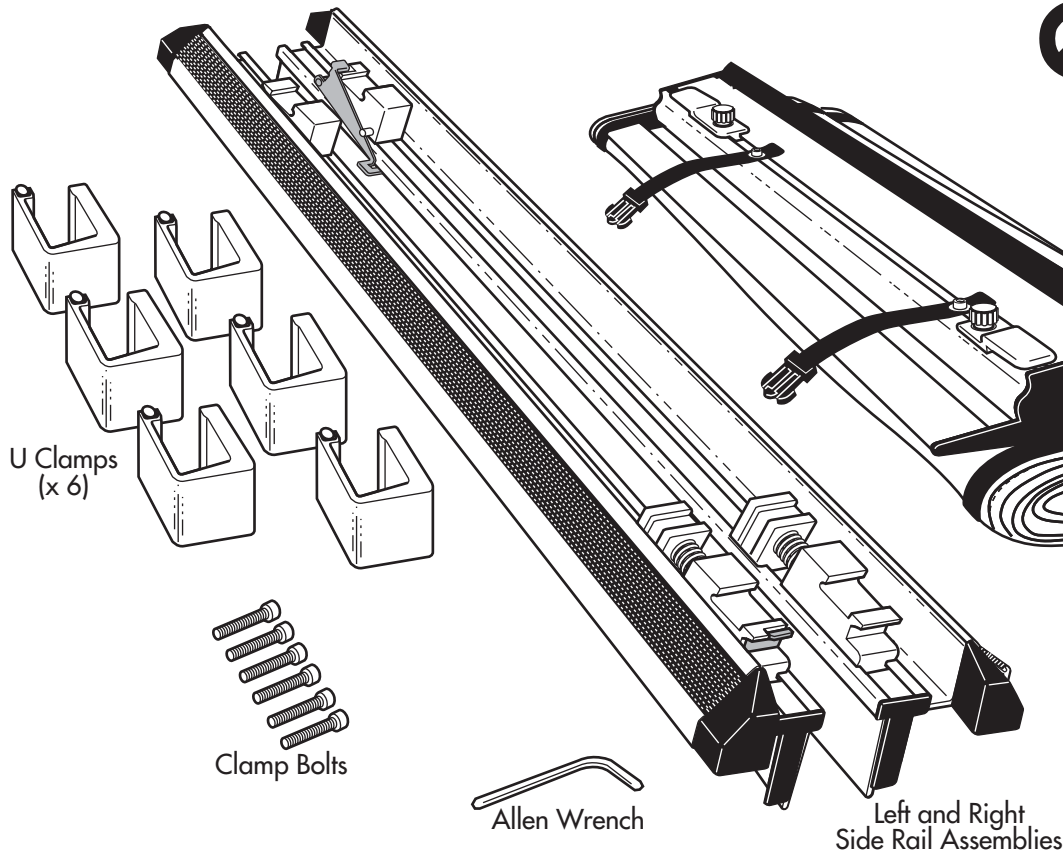


INSTALLATION SHEET

EXPRESS

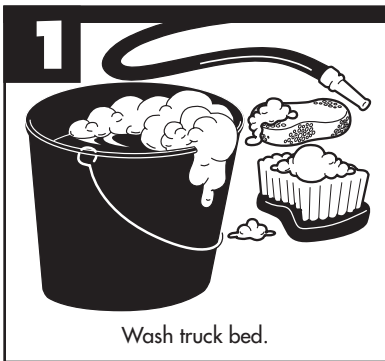
TONNO



Tarp Assembly with Cab Rail, Tail Rail and Support Bows attached.

MISSING PARTS???
call Extang at
1-800-877-2588
 Any and all needed parts
 will be shipped to
 you directly.
**(DO NOT return
 whole kit to store)**

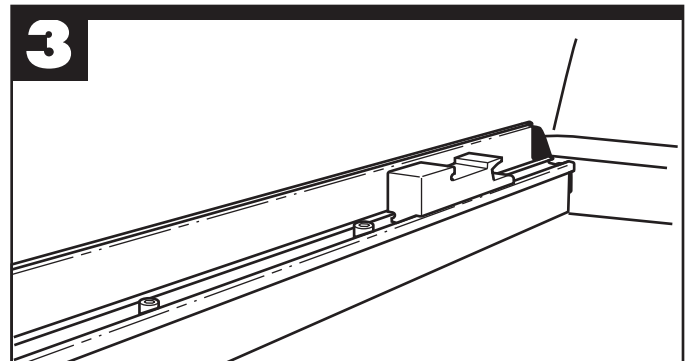
PARTS INCLUDED IN YOUR KIT. You may want to lay them out in this manner for accessibility.



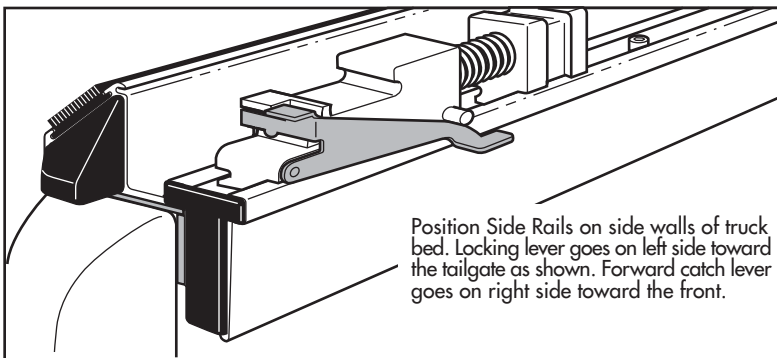
Wash truck bed.



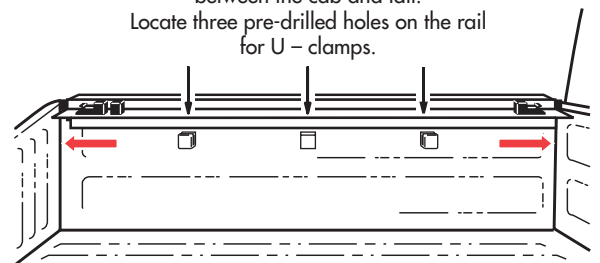
Remove paper tape from all rails.
 Discard properly.



One at a time, position rail so it is centered
 between the cab and tail.
 Locate three pre-drilled holes on the rail
 for U-clamps.



Position Side Rails on side walls of truck bed. Locking lever goes on left side toward the tailgate as shown. Forward catch lever goes on right side toward the front.



extang
 Stands for Quality

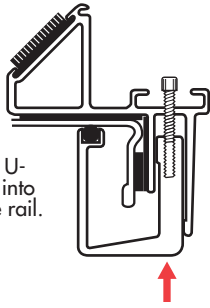
Extang Corporation
 1901 E. Ellsworth Rd.
 Ann Arbor, MI 48108
 734 677-0444, Fax: 734 677-8409

Visit us at:
www.extang.com

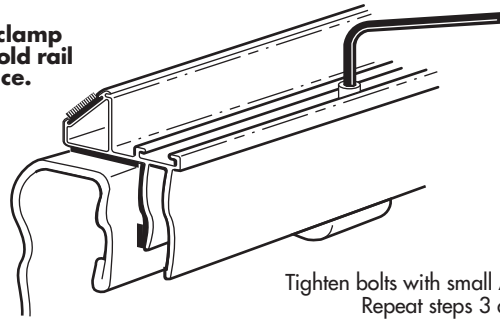
Item No. 0163-0706 RH Printed in U.S.A.

4

Insert U-clamp into the side rail.



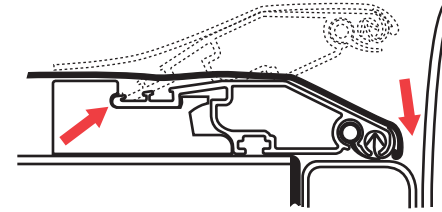
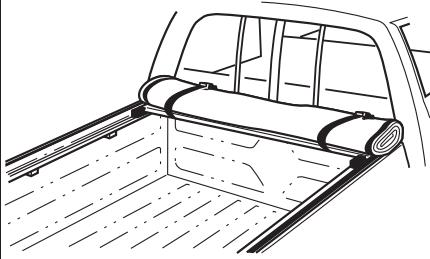
Tighten clamp bolts to hold rail in place.



Tighten bolts with small Allen wrench provided. Repeat steps 3 and 4 for the other rail.

5

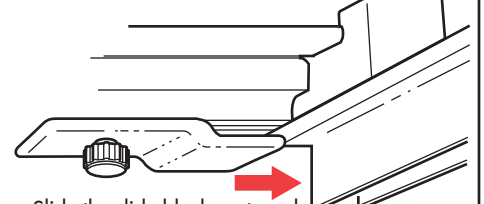
Place tonno assembly in the cab end of truck bed.



Engage the narrow edge of the cab rail to the pivot blocks and rotate the rail down while pulling the cabrail back against the pivot block.

IMPORTANT: If tarp touches cab of truck, move side rails back.

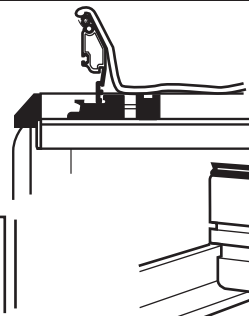
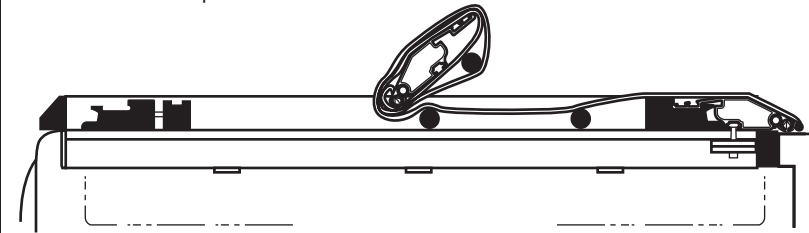
Prior to driving vehicle make sure both slide locks at cab rail are secure.



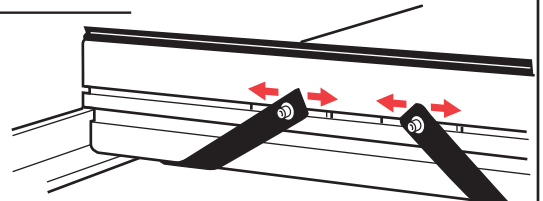
Slide the slide blocks outward so that they engage the wide flange of the side rail and secure the knurled knobs to tighten.

6

Unroll your tarp from the cab rail to the tailgate. The tonno bows are deployed as the tarp is unrolled.

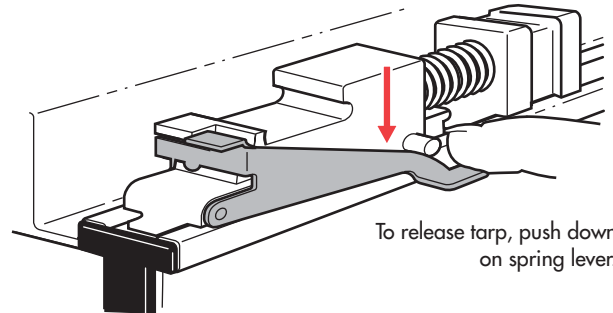
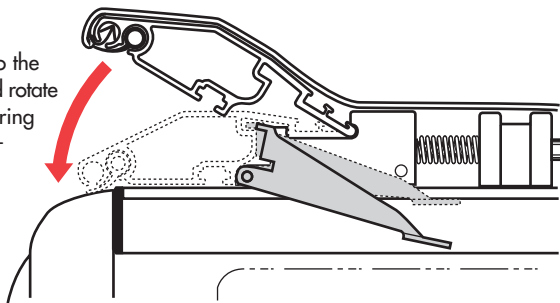


If needed, you can adjust the alignment of the tailgate rail by changing the tailgate strap positions.



7

Insert tail rail into the tailgate block and rotate it down to the spring lever. Tarp is self-tensioning.



To release tarp, push down on spring lever.

8

Seal the tonno by pressing the velcro fastening strips from the cab end and press all the way back, pulling tarp outward as you go.

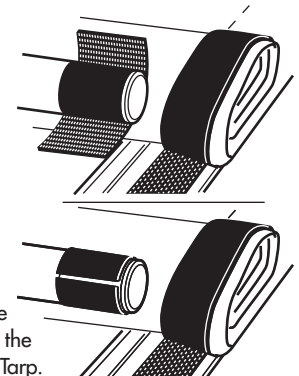
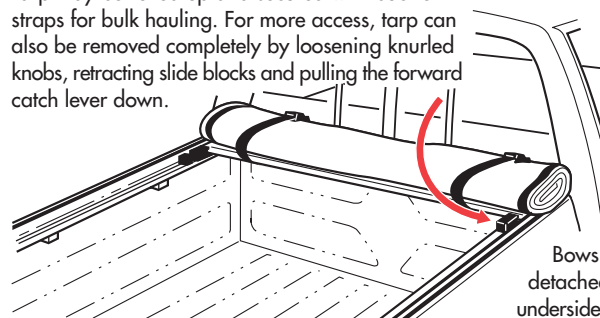


Before using any commercial car wash, push down both sides of the Velcro strips. This will reduce the possibility of water entering the truck bed.

Over time, the velcro might develop a fuzzy appearance. This is normal and will increase the holding strength.

EASY USE OF TRUCK BED

Tarp may be rolled up and secured with buckle straps for bulk hauling. For more access, tarp can also be removed completely by loosening knurled knobs, retracting slide blocks and pulling the forward catch lever down.



Bows can be detached from the underside of the Tarp.

For care instructions see tag on underside of tarp