



## INSTALLATION INSTRUCTIONS

### AS-500

## UNIVERSAL ADJUSTABLE SIDE STEP

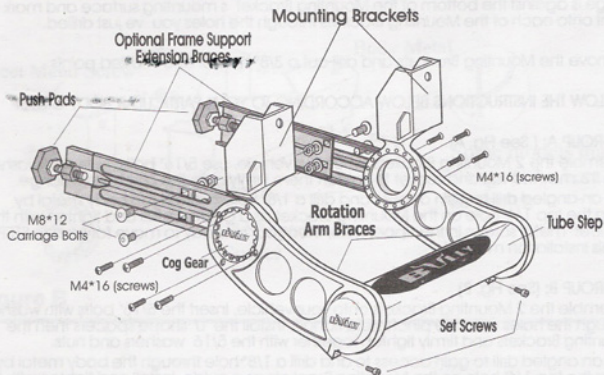
**WARNING: BEFORE YOU START INSTALLING, READ THESE INSTRUCTIONS CAREFULLY**

- Do not install this product on your vehicle if your vehicle's body metal is rusted or damaged.
- Before drilling any holes, be sure the area is clear of any obstacles such as fuel lines, brake lines, wire harnesses, etc. Be careful not to damage the painted body area.
- IMPORTANT:** BULLY assumes no liability for any damage or injury caused by customer's failure to adhere to the warnings and the directions of this instructions.

### Tools Required:

Angled Power Drill	3/8 Drill bit	Phillips Screw Driver	14mm socket
1/8 Drill bit	1/4 Ratchet	10mm socket	13mm open end wrench
5/16 Drill bit	3/8 Ratchet	13mm socket	14mm open end wrench

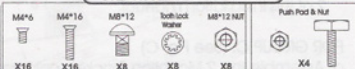
## PARTS DIAGRAM



### MOUNTING HARDWARE



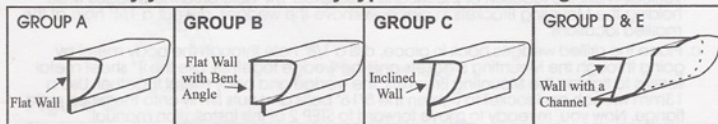
### STEP ASSEMBLY HARDWARE



## BODY TYPES

**BEFORE STARTING THE INSTALLATION PROCESS**

Identify your vehicle's body type to one of the diagrams below



Follow the proper installation instructions for your vehicle type on the following pages