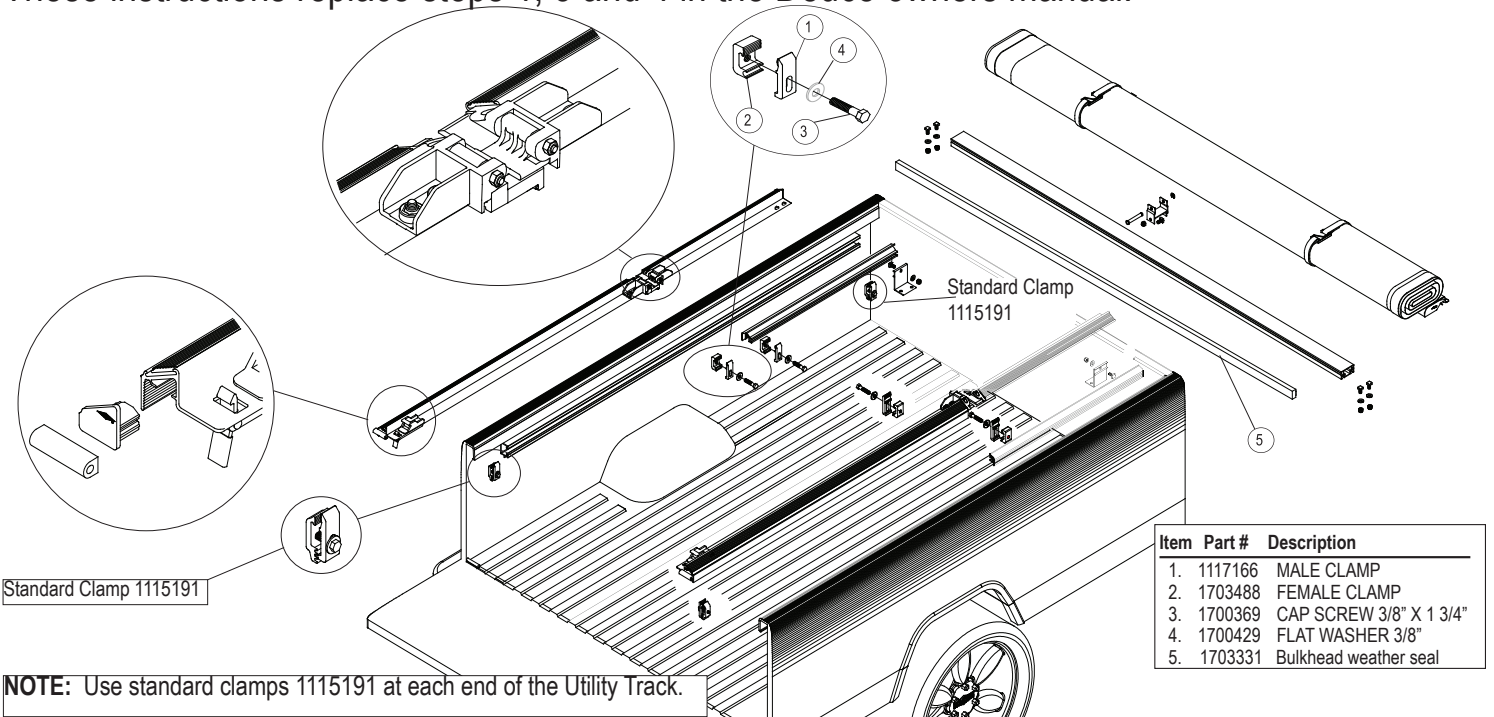


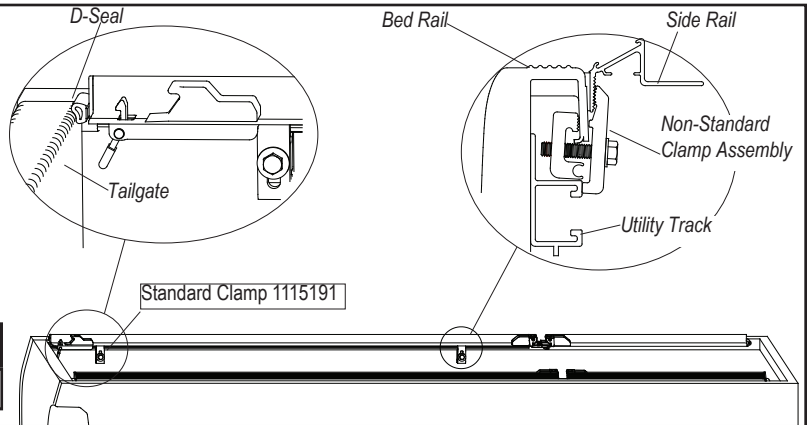
2005 NISSAN FRONTIER DEUCE INSTALLATION SPECIAL INSTRUCTIONS

These instructions replace steps 1, 3 and 4 in the Deuce owners manual.



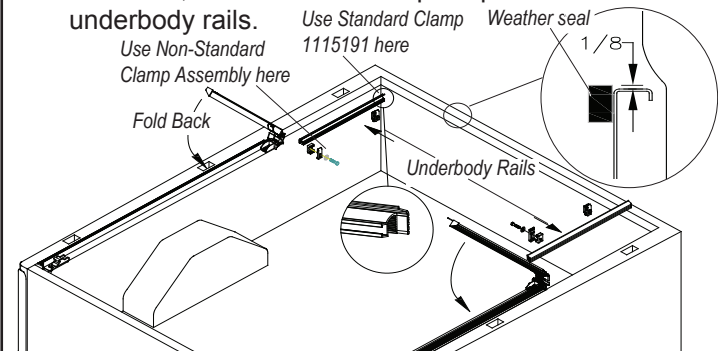
NOTE: Use standard clamps 1115191 at each end of the Utility Track.

1 Install Side Rails: With tailgate closed, align side rails flush with pickup bed rails and level with each other. Lightly compress D-seal against tailgate. Clamp side rails to bed rails, placing two clamps on fixed portion of rails near ends of rails. Tighten securely. Note: the standard clamp 1115191 will be used at the rear and the non-standard clamp components will be used where the Utility track interferes with clamping. See step two in Deuce manual for further clamping information.

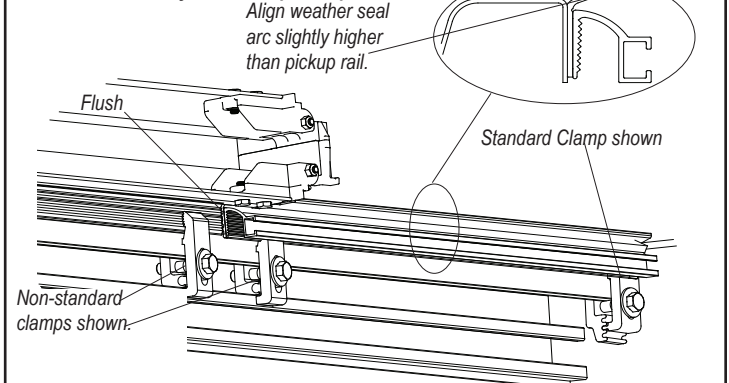


CAUTION
Tighten clamp assemblies securely on side rails before driving vehicle.

2 Install the Bulkhead weather seal across the front of the trucks bulkhead. Next install the underbody Rails. Fold back hinged portion of side rails, and stand inside pickup bed to install underbody rails.



3 Install Underbody Rails: Position underbody rails flush with Truxedo® Deuce side rails as shown. Clamp underbody rails to pickup bed.



To finish installation, continue with step 5 in the Deuce manual