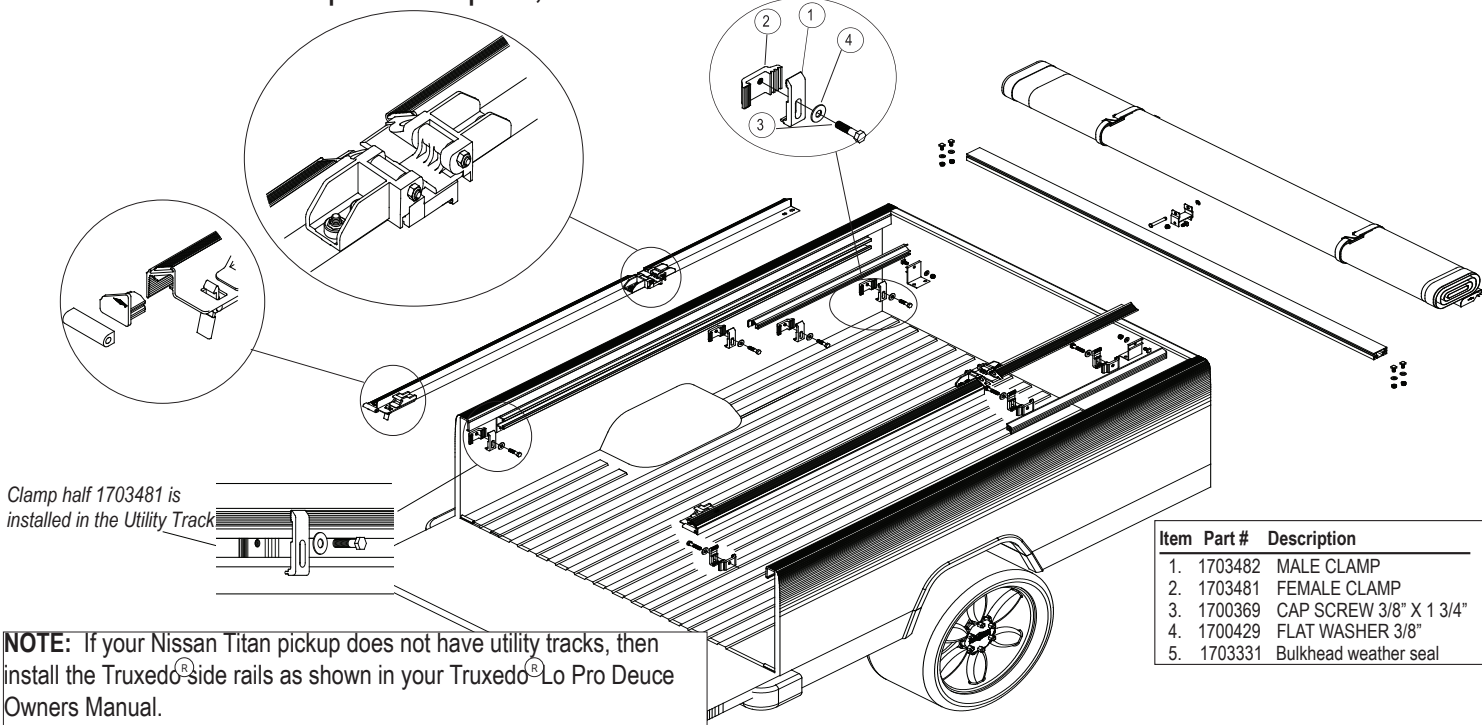


# 2004 NISSAN TITAN

These instructions replace steps 1, 3 and 4 in the Deuce owners manual.

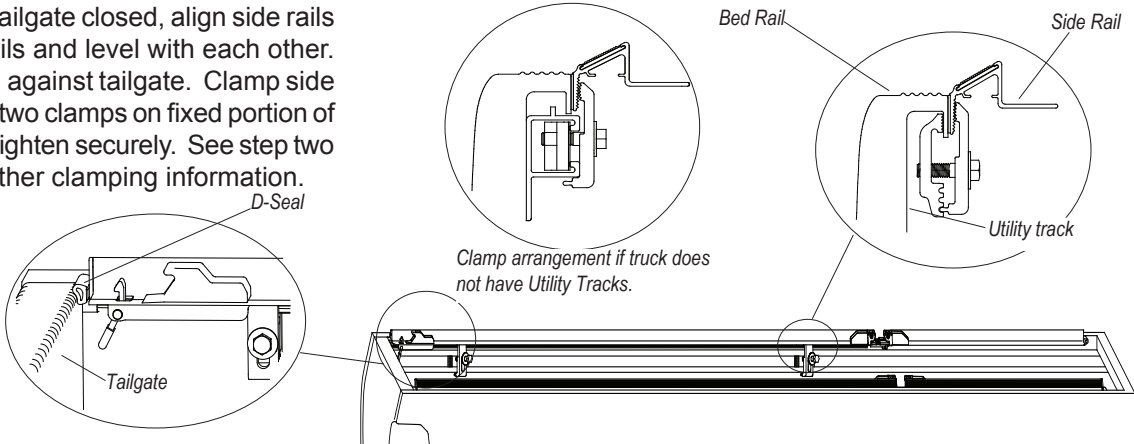


Clamp half 1703481 is installed in the Utility Track

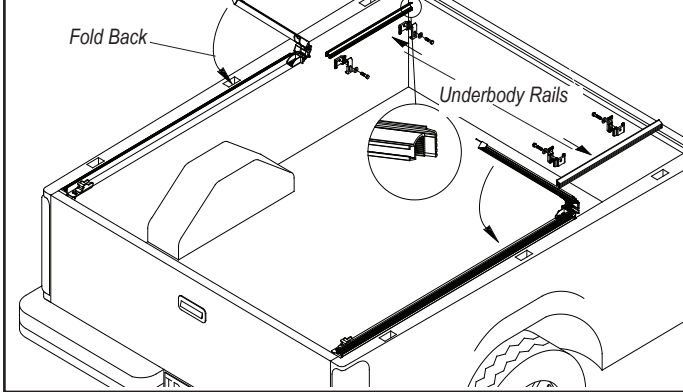
**NOTE:** If your Nissan Titan pickup does not have utility tracks, then install the Truxedo® side rails as shown in your Truxedo® Lo Pro Deuce Owners Manual.

**1 Install Side Rails:** With tailgate closed, align side rails flush with pickup bed rails and level with each other. Lightly compress D-seal against tailgate. Clamp side rails to bed rails, placing two clamps on fixed portion of rails near ends of rails. Tighten securely. See step two in Deuce manual for further clamping information.

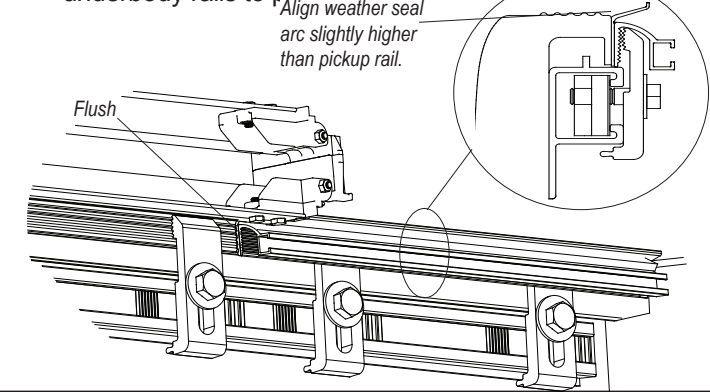
**CAUTION**  
Tighten clamp assemblies securely on side rails before driving vehicle.



**2 Next install the underbody Rails.** Fold back hinged portion of side rails, and stand inside pickup bed to install underbody rails.



**3 Install Underbody Rails:** Position underbody rails flush with Truxedo® Deuce side rails as shown. Clamp underbody rails to pickup bed.



To finish installation, continue with step 5 in the Deuce manual

by TruXedo, Inc.  
P.O. Box 1078, 2209 Kellen Gross Dr., Yankton, SD 57078  
Phone: 877- 878-9336 • Fax: (605) 664-9304 [www.truxedo.com](http://www.truxedo.com)

